

**SINGER**  
**115W103**

# LIST OF PARTS

## INDEX

---



### MACHINE No. 115w103

---

	PAGE
ACCESSORIES .....	26
BOBBIN WINDER .....	26
FEED DOGS .....	28
KNEE LIFTER .....	27
MACHINE No. 115w103 .....	7
NEEDLE VIBRATING CAM .....	29
NUMERICAL LIST OF PARTS .....	31
OBSOLETE PARTS .....	30
PATTERN CAMS .....	29
RATCHET WHEELS .....	30
THREAD UNWINDER .....	28

# Instructions for Ordering

In ordering from this list, use **ONLY** the **PART** number in the **FIRST** column.

The number stamped on a Sewing Machine Part is the number of the Single Part only, except when the part includes Set Screws, Clamping Screws, Studs and Rollers Spun on, Small Wires riveted, or Parts soldered together, etc., which it is necessary to furnish in combination.

Every combination of parts sent out has its specific number which, although not stamped on Parts (except in above cases) must be used when ordering the combination.

Each number always indicates the **SAME PART** in whatever list it appears, or for whatever Machine.

The letters after some of the numbers indicate the style of finish only, as follows:

- A. Hardened, Polished and Plated.
- B. Polished and Plated.
- C. Hardened only.
- D. Polished only.
- E. Soft, not polished.
- F. Hardened and Polished.
- H. Blued.

These letters **MUST BE USED** when they appear in the list and **AFTER** the number, as in the list.

### In this series

- 1 to 1500 and 200001 to 201500 are Screw Numbers.
- 1501 to 1800 and 201501 to 201800 are Nut Numbers.
- 1801 to 2000 and 201801 to 202000 are Roller Numbers.
- 2001 to 50000, 202001 and upwards are Numbers of Machine Parts.

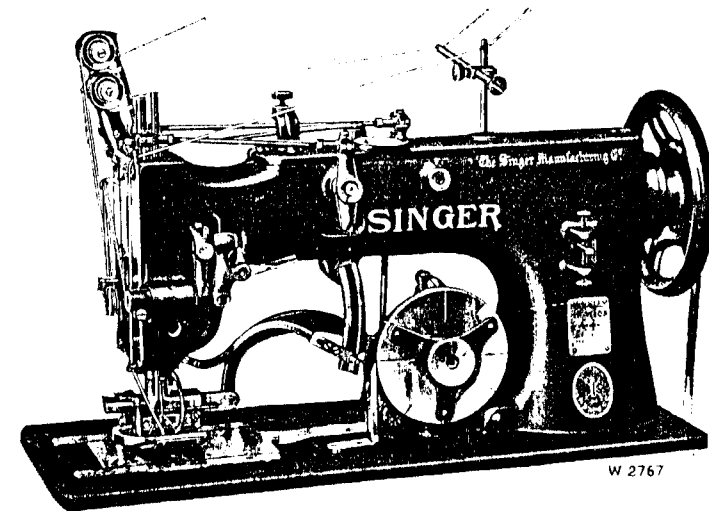
The figures in the second column refer only to the plate in which the illustration of the part is shown and are **NOT TO BE USED** in ordering.

Two or more numbers over a cut indicate that the difference between such parts is not visible in an illustration.

Parts marked with an asterisk (\*) are furnished only when repairs are made at the factory.

## LIST OF PARTS COMPLETE

FOR



### MACHINE No. 115w103

No.	Plate	Name
*234850	—	Arm .....
234802	12535	" Cover with 202036 .....
202003	12534	" " Cap .....
200468B	12534	" " " Thumb Screw ....
200040H	12534	" " Screw (2) .....
201299B	12534	" " Thread Guide .....
201525E	12534	" " " " Nut ....
222053	12538	" Oil Tube (front of arm) with 29599 .....
29599	—	Arm Oil Tube Packing (felt) ....
8582	12538	" Position Pin (3) .....
123E	12538	" Screw (4) .....
221902	12561	" Shaft .....
221903	12560	" " Bushing (back) .....
159C	12538	" " " " Screw (3)
222025	12560	" " " " (center) with 202260 .....
202260	—	Arm Shaft Bushing (center) Oil Packing (wick) .....



No.	Plate	Name
200580d	12527	Feed Compensating Slide Block Cap Screw .....
234809	12534	Feed Compensating Slide Block Connection .....
234810	---	Feed Compensating Slide Block Connection 234809 with 1697c, 1698c, 38446 and 222023 .....
*38443	---	Feed Compensating Slide Block Connection End Bearing (back)
222023	12579	Feed Compensating Slide Block Connection End Bearing 38443 with 679c, 42525 and two 187d ..
679c	12579	Feed Compensating Slide Block Connection End Bearing (back) Ball Screw Stud .....
*42525	---	Feed Compensating Slide Block Connection End Bearing (back) Cap .....
187d	12538	Feed Compensating Slide Block Connection End Bearing (back) Cap Screw .....
1697c	12538	Feed Compensating Slide Block Connection End Bearing (back) Check Nut .....
*38444	---	Feed Compensating Slide Block Connection End Bearing (front)
38446	12527	Feed Compensating Slide Block Connection End Bearing 38444 with 42524, 50016c and two 187d
50016c	12527	Feed Compensating Slide Block Connection End Bearing (front) Ball Screw Stud .....
1518E	12564	Feed Compensating Slide Block Connection End Bearing (front) Ball Screw Stud Nut .....
*42524	---	Feed Compensating Slide Block Connection End Bearing (front) Cap .....
187d	12538	Feed Compensating Slide Block Connection End Bearing (front) Cap Screw .....
1698c	12538	Feed Compensating Slide Block Connection End Bearing (front) Check Nut .....
224774	12525	Feed Dog .....
205F	12564	" " Screw (2) .....
221933	12564	" Driving Cam with 455c and 1299c .....

No.	Plate	Name
1299c	12564	Feed Driving Cam Position Screw
455c	12564	" " " Set Screw ....
24036	12564	" " " Sleeve .....
224769	12545	" " Rock Shaft with 443c
224770	---	" " " " 224769 with 221927 and 224761 .....
202305	12564	Feed Driving Rock Shaft Center (2)
200043c	12564	" " " " Set Screw (2) .....
224771	12526	Feed Driving Rock Shaft Crank with 178F .....
224772	12526	Feed Driving Rock Shaft Crank Connection .....
224773	---	Feed Driving Rock Shaft Crank Connection 224772 with 1518E, 1519E, 3033, 221941 and two 375c
201201E	12527	Feed Driving Rock Shaft Crank Connection Hinge Screw .....
200373c	12538	Feed Driving Rock Shaft Crank Connection Hinge Screw Set Screw .....
178F	12566	Feed Driving Rock Shaft Crank Pinch Screw .....
224779	12538	Feed Lifting Cam with 455c and 1299c .....
1299c	12564	Feed Lifting Cam Position Screw
455c	12564	" " " Set Screw ....
221937	12561	" " Rock Shaft .....
202305	12564	" " " " Center (2)
200043c	12564	" " " " " Set Screw (2) .....
221938	12566	Feed Lifting Rock Shaft Crank with 158F .....
23672	12589	Feed Lifting Rock Shaft Crank Connection with 12204 and two 145E
*12204	---	Feed Lifting Rock Shaft Crank Connection Cap .....
145E	12538	Feed Lifting Rock Shaft Crank Connection Cap Screw .....
375c	12566	Feed Lifting Rock Shaft Crank Connection Hinge Screw .....
1518E	12564	Feed Lifting Rock Shaft Crank Connection Hinge Screw Nut .....
158F	12538	Feed Lifting Rock Shaft Crank Pinch Screw .....
221941	12566	Feed Regulating Bell Crank with 201073E and 201624H .....
1128E	12566	Feed Regulating Bell Crank Hinge Screw .....

No.	Plate	Name
3033	12566	Feed Regulating Bell Crank Link
375c	12566	" " " " "
		Hinge Screw (lower) .....
1518E	12564	Feed Regulating Bell Crank Link
		Hinge Screw (lower) Nut .....
375c	12566	Feed Regulating Bell Crank Link
		Hinge Screw (upper) .....
1519E	12566	Feed Regulating Bell Crank Link
		Hinge Screw (upper) Nut .....
201073F	12566	Feed Regulating Screw Stud .....
201624H	12566	" " " " Check
		Nut .....
201217D	12566	Feed Regulating Thumb Screw (2)
221943	12567	Index Finger .....
175B	12567	" " Screw (2) .....
5596	12567	Knee Lifter Bell Crank .....
5599	12567	" " " " Bracket ..
178F	12566	" " " " " Screw
		(2) .....
5601	12567	Knee Lifter Bell Crank Hinge Pin
5735	12567	" " " " Spring ...
5598	12567	Knee Lifter Bell Crank complete,
		Nos. 5596, 5599, 5601 and 5735 ...
222089	12561	Knee Lifter Lifting Lever .....
222090	12567	" " " " Connect-
		ing Rod .....
12416	12567	Knee Lifter Lifting Lever Connect-
		ing Rod Joint .....
76c	12567	Knee Lifter Lifting Lever Connect-
		ing Rod Joint Hinge Screw ....
1521E	12567	Knee Lifter Lifting Lever Connect-
		ing Rod Lock Nut .....
200224H	12567	Knee Lifter Lifting Lever Hinge
		Screw .....
234852	12538	Looper .....
234812	12535	" Bar with 201259F .....
224838	12538	" " Bushing (2) .....
234813	12534	" " Collar with two 201052c
201052c	12534	" " " Set Screw .....
234814	12534	" " Driving Crank with 1340c
		and 201026c .....
1340c	12538	Looper Bar Driving Crank Position
		Screw .....
201026c	12534	Looper Bar Driving Crank Set
		Screw .....
222088	12538	Looper Driving Arm .....
222085	12541	" " " 222088 with
		2022, 200364F, 201884 and 222087

No.	Plate	Name
234815	12534	Looper Driving Arm Pitman .....
234816	-----	" " " " 234815
		with 1697c, 1698c, 38446, 222023
		and 234814 .....
*38444	-----	Looper Driving Arm Pitman End
		Bearing (back) .....
38446	12527	Looper Driving Arm Pitman End
		Bearing 38444 with 42524, 50016c
		and two 187D .....
50016c	12527	Looper Driving Arm Pitman End
		Bearing (back) Ball Screw Stud
*42524	-----	Looper Driving Arm Pitman End
		Bearing (back) Cap .....
187D	12538	Looper Driving Arm Pitman End
		Bearing (back) Cap Screw .....
1698c	12538	Looper Driving Arm Pitman End
		Bearing (back) Check Nut .....
*38443	-----	Looper Driving Arm Pitman End
		Bearing (front) .....
222023	12579	Looper Driving Arm Pitman End
		Bearing 38443 with 679c, 42525
		and two 187D .....
679c	12579	Looper Driving Arm Pitman End
		Bearing (front) Ball Screw Stud
*42525	-----	Looper Driving Arm Pitman End
		Bearing (front) Cap .....
187D	12538	Looper Driving Arm Pitman End
		Bearing (front) Cap Screw .....
1697c	12538	Looper Driving Arm Pitman End
		Bearing (front) Check Nut ....
2022	12539	Looper Driving Arm Position Pin
201816	12546	" " " Roller .....
201884	-----	" " " " 201816
		with 201141c .....
201141	12539	Looper Driving Arm Roller Stud
200364F	12539	" " " " "
		Set Screw .....
222087	12539	Looper Driving Arm Shaft .....
222086	12539	" " " " Collar
		with 200380c .....
200380c	12539	Looper Driving Arm Shaft Collar
		Set Screw .....
234817	12535	Looper Driving Cam with 1285c and
		1490c .....
1285c	12575	Looper Driving Cam Position Screw
1490c	12579	" " " Set Screw ..
201259F	12534	" Screw .....
231390	12526	Needle Bar (hollow) .....

No.	Plate	Name
234856	12539	Needle Bar (left) Connecting Stud with 200386c .....
200386c	12539	Needle Bar (left) Set Screw .....
234857	12541	" " (right) with 200141r ..
234858	12539	" " " Connecting Stud with 202254 .....
202254	—	Needle Bar (right) Connecting Stud Oil Packing (wick) .....
234859	12539	Needle Bar (right) Connecting Stud Swivel with 200386c .....
200386c	12539	Needle Bar (right) Set Screw .....
234860	12539	" " Connecting Link with 201887 .....
201887	12539	Needle Bar Connecting Link Roller
234861	12539	" " " " Stud
1036c	12539	" " " " " Set Screw .....
1266c	12539	Needle Bar Connecting Link Stud Set Screw Check Screw .....
234862	12541	Needle Bar Frame with 201052c ..
234863	12539	" " " Center (upper)
234864	12539	" " " " " Bushing .....
449c	12539	Needle Bar Frame Center (upper) Bushing Set Screw .....
201052c	12534	Needle Bar Frame Center (upper) Set Screw .....
234865	12541	Needle Bar Frame Pitman with 200746c, 201531e, 204921 and two 200110b .....
200746c	12539	Needle Bar Frame Pitman Ball Screw .....
*204921	—	Needle Bar Frame Pitman Ball Screw Cap .....
200110b	12539	Needle Bar Frame Pitman Ball Screw Cap Screw .....
201531e	12539	Needle Bar Frame Pitman Ball Screw Nut .....
204922	12539	Needle Bar Frame Pitman Connection (adjustable) .....
204841	—	Needle Bar Frame Pitman Connection 204922 with 204923 .....
234922	—	Needle Bar Frame Pitman Connection 204841 with 214054, 234865 and two 200110b .....
204923	12539	Needle Bar Frame Pitman Connection Bearing .....
214054	12539	Needle Bar Frame Pitman Connection Clamp Washer .....

No.	Plate	Name
200110b	12539	Needle Bar Frame Pitman Connection Clamp Washer Screw (2) ..
200791e	12540	Needle Bar Frame Pitman Connection Slide .....
229d	12540	Needle Bar Frame Pitman Connection Slide Stop Screw (lower) ..
226d	12540	Needle Bar Frame Pitman Connection Slide Stop Screw (upper) ..
202104	12540	Needle Bar Frame Pitman Connection Slide Washer .....
201581e	12540	Needle Bar Frame Pitman Connection Slide Wing Nut .....
234866	12541	Needle Bar Frame Regulator with 201886 .....
201880	12540	Needle Bar Frame Regulator Roller
201886	12540	" " " " " " 201880 spun on stud .....
202574	12540	Needle Bar Frame Regulator Shaft Collar with 200380c .....
200380c	12539	Needle Bar Frame Regulator Shaft Collar Set Screw .....
303c	12540	Needle Bar Frame Screw Center (lower) .....
1517e	12540	Needle Bar Frame Screw Center (lower) Nut .....
234867	12540	Needle Holder (left) with 200130e and 201030e .....
200130e	12540	Needle Holder (left) Pinch Screw
201030e	12540	" " " Screw .....
200141r	12540	" (right) Set Screw .....
234868	12541	" Vibrating Cam .....
647e	12579	" " " Screw .....
14031	12540	Oscillating Rock Shaft with 4784 ..
22157	12540	" " " Crank with 735c .....
2049	12540	Oscillating Rock Shaft Crank Position Pin .....
735c	12540	Oscillating Rock Shaft Crank Set Screw .....
4784	—	Oscillating Rock Shaft Oil Pad .....
7317	12540	" Shaft .....
29048	12540	" " Crank .....
2049	12540	" " " Position Pin ..
15170	12540	" " " Slide Block ..
229d	12540	" " " " " Cap Screw .....
12424	—	Oscillating Shaft Crank Slide Block Cap Screw Washer .....

No.	Plate	Name
1035c	12540	Oscillating Shaft Crank Slide Block Screw Stud .....
1519E	12566	Oscillating Shaft Crank Slide Block Screw Stud Nut .....
15171	12540	Oscillating Shaft Crank Slide Block complete, Nos. 229D, 1035c, 12424 and 15170 .....
735c	12540	Oscillating Shaft Crank Set Screw
29176	12540	Oscillating Shaft Crank complete, Nos. 735c, 1519E, 15171 and 29048
222005	12585	Pattern Cam .....
233165	12541	" " Friction Spring .....
222096	—	" " " " Button
222118	—	" " " " " "
		Rivet .....
233166	—	Pattern Cam Friction Spring com- plete, Nos. 222016, 233165, three each 222096 and 222118 .....
201619E	12542	Pattern Cam Friction Spring Thumb Screw .....
234869	12542	Pattern Cam Position Pin .....
647E	12579	" " Screw .....
222016	12542	" " Washer .....
224780	12545	" Feed Plate .....
224835	12527	" " " " Driving Block
224837	—	" " " " " "
		224835 with 201864 and 224836 (2) .....
201864	12527	Pattern Feed Plate Driving Block Roller .....
224836	12527	Pattern Feed Plate Driving Block Roller Cap .....
200121E	12527	Pattern Feed Plate Driving Block Screw (4) .....
224782	12526	Pattern Feed Plate Driving Lever
201204c	12527	" " " " " "
		Hinge Screw Stud .....
1608c	12527	Pattern Feed Plate Driving Lever Hinge Screw Stud Nut .....
201857	12542	Pattern Feed Plate Driving Lever Roller .....
201022c	12542	Pattern Feed Plate Driving Lever Roller Stud .....
401D	12542	Pattern Feed Plate Driving Lever Roller Stud Cap Screw .....
1520E	12542	Pattern Feed Plate Driving Lever Roller Stud Nut .....

No.	Plate	Name
222020	12526	Pattern Feed Plate Gib (back) ..
222021	12526	" " " " (front) ..
211E	12542	" " " " Screw (6)
222018	12527	" " " Pitman .....
224783	—	" " " " 222018 with 1697c, 1698c, 38446 and 224784 .....
*38444	—	Pattern Feed Plate Pitman End Bearing (left) .....
38446	12527	Pattern Feed Plate Pitman End Bearing 38444 with 42524, 50016c and two 187D .....
50016c	12527	Pattern Feed Plate Pitman End Bearing (left) Ball Screw Stud..
1519E	12566	Pattern Feed Plate Pitman End Bearing (left) Ball Screw Stud Nut .....
*42524	—	Pattern Feed Plate Pitman End Bearing (left) Cap .....
187D	12538	Pattern Feed Plate Pitman End Bearing (left) Cap Screw .....
1698c	12538	Pattern Feed Plate Pitman End Bearing (left) Check Nut .....
*38443	—	Pattern Feed Plate Pitman End Bearing (right) .....
224784	—	Pattern Feed Plate Pitman End Bearing 38443 with 42525, 201208c and two 187D .....
201208c	12527	Pattern Feed Plate Pitman End Bearing (right) Ball Screw Stud
1520E	12542	Pattern Feed Plate Pitman End Bearing (right) Ball Screw Stud Nut .....
224826	12527	Pattern Feed Plate Pitman End Bearing (right) Ball Screw Stud Washer .....
*42525	—	Pattern Feed Plate Pitman End Bearing (right) Cap .....
187D	12538	Pattern Feed Plate Pitman End Bearing (right) Cap Screw .....
1697c	12538	Pattern Feed Plate Pitman End Bearing (right) Check Nut .....
234870	12541	Presser Bar .....
2062A	12527	" " Lifter .....
36E	12527	" " " Hinge Screw ..
234871	12542	" " Lifting Bracket with 453c .....
453c	12528	Presser Bar Lifting Bracket Set Screw .....



No.	Plate	Name
234822	12541	Presser Bar Spring (flat) .....
202036	12528	" " " Position Pin ..
201286B	12536	" " " Regulating Thumb Screw .....
224789	12529	Presser Foot Bracket .....
224790	12529	" " " Support with 200069F and three 201203F .....
200069F	12528	Presser Foot Bracket Support Pinch Screw .....
201203F	12528	Presser Foot Bracket Support Screw .....
224791	12528	Presser Foot Cord Guide (spring)
224792	12528	" " " " Arm ....
200132D	12528	" " " " " Screw
202603	12528	" " " " " " " Washer .....
201202D	12528	Presser Foot Cord Guide Screw ..
224793	12528	" " " Plate (left or right) (2) .....
206775	12528	Presser Foot Plate Hinge Pin (2)
224794	-----	" " " Shank (2) .....
224795	12528	" " " " Guide Block
200055D	12528	" " " " " " Screw (4) .....
224796	12528	Presser Foot Shank Swivel (2) ....
224797	12528	" " " " " Hinge Con- nection .....
201260B	12528	Presser Foot Shank Swivel Hinge Connection Stop Screw .....
224798	12528	Presser Foot Smoothing Plate ....
222043	12528	" " " " " Hinge Pin .....
224799	12528	Presser Foot Smoothing Plate Shank .....
202109	12528	Presser Foot Smoothing Plate Spring .....
224800	12528	Presser Foot Smoothing Plate Stop
200172D	12528	" " " " " " Screw .....
224801	12528	Presser Foot Smoothing Spring (flat) .....
234875	12542	Presser Foot Smoothing Spring Arm .....
202108	12531	Presser Foot Smoothing Spring Arm Position Pin (2) .....
200064F	12531	Presser Foot Smoothing Spring Arm Screw .....
224803	12531	Presser Foot Smoothing Spring Reinforcement .....

No.	Plate	Name
335F	12576	Presser Foot Smoothing Spring Screw .....
234876	12543	Presser Foot (hinged) (compensat- ing) complete, Nos. 200064F, 200132D, 201202D, 201260B, 202109, 202603, 222043, 224789 to 224792, 224795, 224797 to 224801, 224803, 234875, two each 335F, 200172D, 202108, 206775, 224793, 224794, 224796 and four 200055D .....
224805	12531	Presser Foot Driving Block .....
200574E	12531	" " " " " Screw (2) .....
224806	12529	Presser Foot Driving Link .....
200272D	12531	" " " " " Hinge Screw (2) .....
221956	12531	Presser Foot Lifting Cam .....
402D	12531	" " " " " Screw ..
221957	12542	" " " " " Lever with 1186C
222067	12574	" " " " " Driving Lever with 221960 and 221961 ..
200696E	12574	Presser Foot Lifting Lever Driving Lever Interlocking Stud .....
222068	12574	Presser Foot Lifting Lever Driving Lever Interlocking Stud Bracket with 200362C .....
200362C	12574	Presser Foot Lifting Lever Driving Lever Interlocking Stud Bracket Set Screw .....
201625A	12574	Presser Foot Lifting Lever Driving Lever Interlocking Stud Nut ..
222069	12574	Presser Foot Lifting Lever Driving Lever Interlocking Stud Releaser
200280B	12574	Presser Foot Lifting Lever Driving Lever Interlocking Stud Releaser Hinge Screw .....
222070	12574	Presser Foot Lifting Lever Driving Lever Interlocking Stud Spring ..
222084	-----	Presser Foot Lifting Lever Driving Lever Interlocking Stud Bracket complete, Nos. 200280B, 200696E, 201625A and 222068 to 222070 ...
221960	12574	Presser Foot Lifting Lever Driving Lever Roller .....
221961	12574	Presser Foot Lifting Lever Driving Lever Roller Stud .....
221962	12574	Presser Foot Lifting Lever Driving Lever Spring .....

No.	Plate	Name
1186c	12531	Presser Foot Lifting Lever Pinch Screw .....
234872	12542	Presser Foot Lifting Lever Shaft..
222009	12575	Ratchet Pawl .....
221997	12575	" " Bell Crank with 38442 and two 185c .....
234877	-----	Ratchet Pawl Bell Crank 221997 with 228d, 1654c, 200161d, 201300c, 222009 and 234878 .....
38442	12575	Ratchet Pawl Bell Crank Ball Stud
446c	12542	" " " " " " " " Set Screw .....
185c	12575	Ratchet Pawl Bell Crank Screw ..
200161d	12542	" " Cap Screw .....
*38127	-----	" " Driving Eccentric ..
*222073	-----	" " " " " Body
1285c	12575	" " " " " " " " Position Screw .....
443c	12575	Ratchet Pawl Driving Eccentric Body Set Screw .....
21331	12575	Ratchet Pawl Driving Eccentric Pressure Spring .....
21332	12575	Ratchet Pawl Driving Eccentric Pressure Spring Cap .....
934d	12575	Ratchet Pawl Driving Eccentric Pressure Spring Cap Screw ....
1103c	12575	Ratchet Pawl Driving Eccentric Regulating Screw .....
196F	12575	Ratchet Pawl Driving Eccentric Set Screw .....
222074	12575	Ratchet Pawl Driving Eccentric complete, Nos. 196F, 443c, 934d, 1103c, 1285c, 21331, 21332, 38127 and 222073 .....
222075	12529	Ratchet Pawl Driving Pitman with 446c and two 145E .....
145E	12538	Ratchet Pawl Driving Pitman Screw
201300c	12542	" " Hinge Screw Stud ...
1654c	12575	" " " " " " Nut
234878	12544	" " Spring .....
228d	12575	" " " Screw .....
222062	12543	" Wheel, 132 teeth .....
234901	-----	" " 222062 with 234869 ...
234880	12544	" " Stop with 222012 ....
222012	12575	" " " Position Pin ....
200615F	12544	" " " " " Screw ...
222013	12575	" " " Spring .....
234881	12543	" " Stud .....
234882	12545	" " " Bracket .....

No.	Plate	Name
2049	12540	Ratchet Wheel Stud Bracket Position Pin (2) .....
134d	12575	Ratchet Wheel Stud Bracket Screw (3) .....
1504E	12575	Ratchet Wheel Stud Nut .....
234883	-----	Ratchet Wheel Stud Bracket complete, Nos. 401d, 1504E, 1520E, 1608c, 200615F, 201022c, 201204c, 201619E, 201857, 222005, 224782, 233166, 234868, 234877, 234880 to 234882, 234901 and four 647F ...
2996	12574	Shuttle Bobbin .....
224840	-----	" " Case .....
15141	-----	" " " Hinge, Nos. 2973, 2974 and 15140 .....
15140	12571	Shuttle Bobbin Case Latch .....
2973	12574	" " " " Lever ..
2974	12574	" " " " " Fulcrum Pin .....
2975	12574	Shuttle Bobbin Case Latch Spring
592E	12574	" " " " " Stop Screw .....
7553	12531	Shuttle Bobbin Case Position Finger .....
2523	-----	Shuttle Bobbin Case Position Finger Rivet .....
224842	12536	Shuttle Bobbin Case Tension Spring .....
591F	12574	Shuttle Bobbin Case Tension Spring Regulating Screw .....
224841	12536	Shuttle Bobbin Case complete, Nos. 591F, 592E, 2523, 2975, 7553, 15141, 222840 and 222842 .....
15728	12576	Shuttle Body .....
*22171	-----	" Driver .....
22172	12536	" " 22171 with two 462c..
2049	12540	" " Position Pin .....
462c	12576	" " Set Screw .....
224810	12589	" Pitman .....
224811	-----	" " 224810 with 201520c, 201640c, 224812 and 224813 .....
222099	12576	Shuttle Pitman Bell Crank .....
221968	12576	" " " " " Hinge Pin .....
443c	12575	Shuttle Pitman Bell Crank Hinge Pin Set Screw .....
224812	12544	Shuttle Pitman End Bearing (left)
201640c	12544	" " " " " " " " Check Nut .....

No.	Plate	Name
224813	12544	Shuttle Pitman End Bearing (right)
201520c	12544	" " " " "
		Check Nut .....
374c	—	Shuttle Pitman Hinge Screw (2)
1518e	12564	" " " " Nut
		(2) .....
39969	12531	Shuttle Race Back .....
2532	12576	" " " Position Pin ..
2533	12531	" " " Spring .....
648d	12576	" " " " Screw ..
224831	12529	" " Body .....
145f	12538	" " " Screw (2) ....
224829	12529	" " Bracket .....
224814	12544	" " " Adjusting Slide
14105	12576	" " " " " "
		Position Pin (2) .....
211f	12542	Shuttle Race Bracket Adjusting Slide Screw (2) .....
146d	12576	Shuttle Race Bracket Screw (3) ..
234823	—	Shuttle Race Bracket complete, Nos. 7317, 14031, 22157, 22172, 29176, 224829 and three 2049 ....
7326	12544	Shuttle Race Cap .....
662d	12544	" " " Screw .....
234885	—	Shuttle Race complete, Nos. 648d, 2533, 7326, 39969, 224831, two each 662d and 2532 .....
234824	12536	Spreader .....
234899	12544	" Arm with 1340c and 201026c
234826	12536	" " Crank with 1340c and 201026c .....
1340c	12538	Spreader Arm Crank Position Screw .....
201026c	12534	Spreader Arm Crank Set Screw ..
234827	12536	" " " Shaft .....
224838	12538	" " " " Bushing (2) .....
234813	12534	Spreader Arm Crank Shaft Collar with two 201052c .....
201052c	12534	Spreader Arm Crank Shaft Collar Set Screw .....
1340c	12538	Spreader Arm Position Screw ....
201026c	12534	" " Set Screw .....
222088	12538	" Driving Arm .....
222085	12541	" " " 222088 with 2022, 200364f, 201884 and 222087
234829	12543	Spreader Driving Arm Pitman ....
234830	—	" " " " 234829 with 222023, 224828, 234826, two each 1697c and 1698c .....

No.	Plate	Name
*38444	—	Spreader Driving Arm Pitman End Bearing (back) .....
224828	12579	Spreader Driving Arm Pitman End Bearing 38444 with 42524, 201214c and two 187d .....
201214c	12579	Spreader Driving Arm Pitman End Bearing (back) Ball Screw Stud
*42524	—	Spreader Driving Arm Pitman End Bearing (back) Cap .....
187d	12538	Spreader Driving Arm Pitman End Bearing (back) Cap Screw ....
1698c	12538	Spreader Driving Arm Pitman End Bearing (back) Check Nut .....
*38443	—	Spreader Driving Arm Pitman End Bearing (front) .....
222023	12579	Spreader Driving Arm Pitman End Bearing 38443 with 679c, 42525 and two 187d .....
679c	12579	Spreader Driving Arm Pitman End Bearing (front) Ball Screw Stud
*42525	—	Spreader Driving Arm Pitman End Bearing (front) Cap .....
187d	12538	Spreader Driving Arm Pitman End Bearing (front) Cap Screw ....
1697c	12538	Spreader Driving Arm Pitman End Bearing (front) Check Nut ....
2022	12539	Spreader Driving Arm Position Pin
201816	12546	" " " Roller .....
201884	—	" " " " 201816 with 201141c .....
201141	12539	Spreader Driving Arm Roller Stud
200364f	12539	" " " " " " Set Screw .....
222087	12539	Spreader Driving Arm Shaft .....
222086	12539	" " " " Collar with 200380c .....
200380c	12539	Spreader Driving Arm Shaft Collar Set Screw .....
234831	12543	Spreader Driving Cam with 1285c and 1490c .....
1285c	12575	Spreader Driving Cam Position Screw .....
1490c	12579	Spreader Driving Cam Set Screw ..
226d	12540	" Screw (2) .....
234889	12543	Tension Bracket with 454c, 941c and 221989 .....
647f	12579	Tension Bracket Screw (2) .....

## Parts for Machine No. 115w103

No.	Plate	Name
234890	12543	Tension Bracket complete, Nos. 231c, 1043c, 22179, 200812c, 201302c, 221988, 222038, 224824, 234889, 234892, 234895, 234898, two each 724b, 1560b, 2102, 10148, 234834 and 234891 .....
234891	12544	Tension (lower) Disc .....
10148	12544	" " Spring .....
201302c	12544	" " Stud .....
196b	12575	" " Set Screw .....
1560b	12544	" " Thumb Nut .....
234892	12544	" " Washer .....
1043c	12579	" (upper) Stud .....
2102	12544	" Disc (upper) .....
224824	12533	" Releaser .....
221988	12579	" " Adjusting Piece .....
231c	12544	" " " " Screw .....
724b	12579	" " Screw .....
222038	12579	" " Spring .....
221989	12579	" " " Hook .....
10148	12544	" Spring (upper) .....
196b	12575	" Stud Set Screw (upper) .....
1560b	12544	" Thumb Nut (upper) .....
221990	12579	Thread Guide (lower) .....
12149	12579	" " (upper) .....
✓ 234893	12544	" Nipper Lever .....
200123b	12544	" " " Cap Screw .....
234894	12544	" " " Crank with two 200f .....
200f	12544	Thread Nipper Lever Crank Set Screw .....
200812c	12544	Thread Nipper Lever Hinge Screw Stud .....
✓ 234896	12546	Thread Nipper Lever Link .....
201297c	12546	" " " Hinge Screw (2) .....
234895	12546	Thread Nipper Lever Plunger .....
222054	12543	" Take-up Cam with 448c, 713c and 1036c .....
234897	—	Thread Take-up Cam 222054 with 1266c, 221956, 234856, 234858 to 234861 and two 402b .....
743o	12579	Thread Take-up Cam Position Screw .....
448c	12538	Thread Take-up Cam Set Screw .....
224833	12533	" " Lever with 201891 and 222103 .....

## Parts for Machine No. 115w103

No.	Plate	Name
77b	—	Thread Take-up Lever Hinge Screw
201891	12546	" " " Roller .....
222103	12546	" " " Cap .....
2410	12546	" " Roller .....
810b	12546	" " " Stop Screw .....
221994	12546	" " " Stud .....
221995	—	" " " " 221994 with 810b and two 2410 .....
446c	12542	Thread Take-up Roller Stud Set Screw .....
234834	12536	Thread Take-up Spring .....
234898	12546	" " " Regulator (lower) with 196b .....
941c	12546	Thread Take-up Spring Regulator (lower) Position Screw .....
22179	12546	Thread Take-up Spring Regulator (upper) with 196b .....
454c	12564	Thread Take-up Spring Regulator (upper) Set Screw .....
224825	12525	Throat Plate .....
200583b	12536	" " Screw (4) .....



No.	Plate	Name
356c	12581	Rock Shaft Lifting Bracket Set Screw .....
2770	12561	Rock Shaft Stop Dog with 356c ..
356c	12581	" " " " Set Screw ..

(Other Knee Lifter Parts are listed with parts of machine head).

#### THREAD UNWINDER

##### For Four Large Spools or Four Large Cones of Thread.

27623	12586	Spool Pin .....
155c	12581	" " Set Screw .....
41534	12586	" Rest .....
41535	-----	" " 41534 with 1149c, four each 155c and 27623 .....
1149c	12581	Spool Rest Set Screw .....
27940	12586	" Stand with 453c .....
41514	12586	" Weight, 4 in. diam., with 41515
41515	12586	" " Center Pin .....
27739	12586	Thread Cone (wood) .....
41633	12586	" Guard with 208E and four 41569 .....
41569	12586	Thread Guard Eyelet .....
41637	12586	" " Rod (lower) .....
41638	12586	" " " (upper) .....
41639	12586	" " " Coupling with two 456c .....
456c	12546	Thread Guard Rod Coupling Set Screw .....
41640	-----	Thread Guard Rod complete, 30 in. long, Nos. 41637 to 41639 .....
453c	12528	Thread Guard Rod Set Screw ....
208E	12546	" " Screw .....
60685	-----	" Unwinder, Nos. 27940, 41535, 41633, 41640, three wood screws 1 in., No. 12 and four 27739 ....
41537	12586	Thread Unwinder complete, for four large spools or four large cones of thread, Nos. 60685 and four 41514 .....

#### FEED DOGS

224774	12525	Feed Dog, for 224825 .....
224775	12525	" " (coarse), for 224825 ....

## NEEDLE VIBRATING CAMS

No.	Plate	Name
234868	12541	Needle Vibrating Cam, for use with 222005 .....
234903	-----	Needle Vibrating Cam, for use with 222005 .....
234904	-----	Needle Vibrating Cam, for use with 222033 .....
234905	-----	Needle Vibrating Cam, for use with 222005 .....
234906	-----	Needle Vibrating Cam, for use with 222026 .....
234907	-----	Needle Vibrating Cam, for use with 222049 .....

## PATTERN CAMS

222005	12585	Pattern Cam .....
222026	12585	" " .....
222027	12585	" " .....
222028	12585	" " .....
222029	12585	" " .....
222030	12585	" " .....
222031	12585	" " .....
222032	12585	" " .....
222033	12585	" " .....
222034	12585	" " .....
222035	12585	" " .....
222036	12585	" " .....
222049	12585	" " .....
222079	12585	" " .....
222092	12585	" " .....
222121	12587	" " .....
222122	12587	" " .....
222123	12587	" " .....
222124	12587	" " .....
222125	12587	" " .....
222126	12587	" " .....
222127	12587	" " .....
222128	-----	" " .....

## RATCHET WHEELS

No.	Plate	Name
222061	—	Ratchet Wheel, 116 teeth .....
234900	—	" " 222061 with 234869
222062	12543	" " 132 teeth .....
234901	—	" " 222062 with 234869
222063	—	" " 144 teeth .....
234902	—	" " 222063 with 234869

## OBSOLETE PARTS

27552	12584	Base .....
27302	12584	Frame .....
27303	12581	" Spring .....
27553	12584	Pulley .....
27538	12581	Spindle with 15072 .....
27306	12581	Spool Pin .....
27307	12584	" Stand .....
27308	12584	Spool Stand complete, Nos. 418D, 1562J, 2106, 10141, 11241, 27306, 27307, two each 2455 and wood screws 1 in., No. 10 .....
27312	12581	Stop Latch .....
2455	12581	Tension Disc .....
10141	12581	" Spring .....
2106	12581	" Thread Guard .....
27650	12584	Bobbin Winder, Nos. 35D, 1620J, 27302, 27303, 27312, 27538, 27552, 27553, 50356D and two wood screws 1 in., No. 7 .....

## PLATE 10881—FULL SIZE

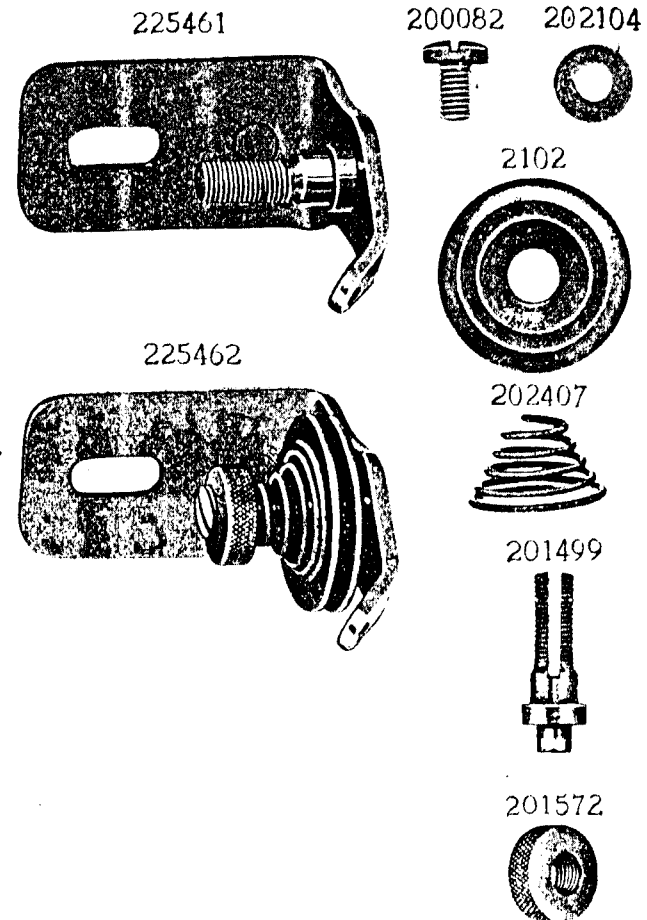


PLATE 10882—FULL SIZE

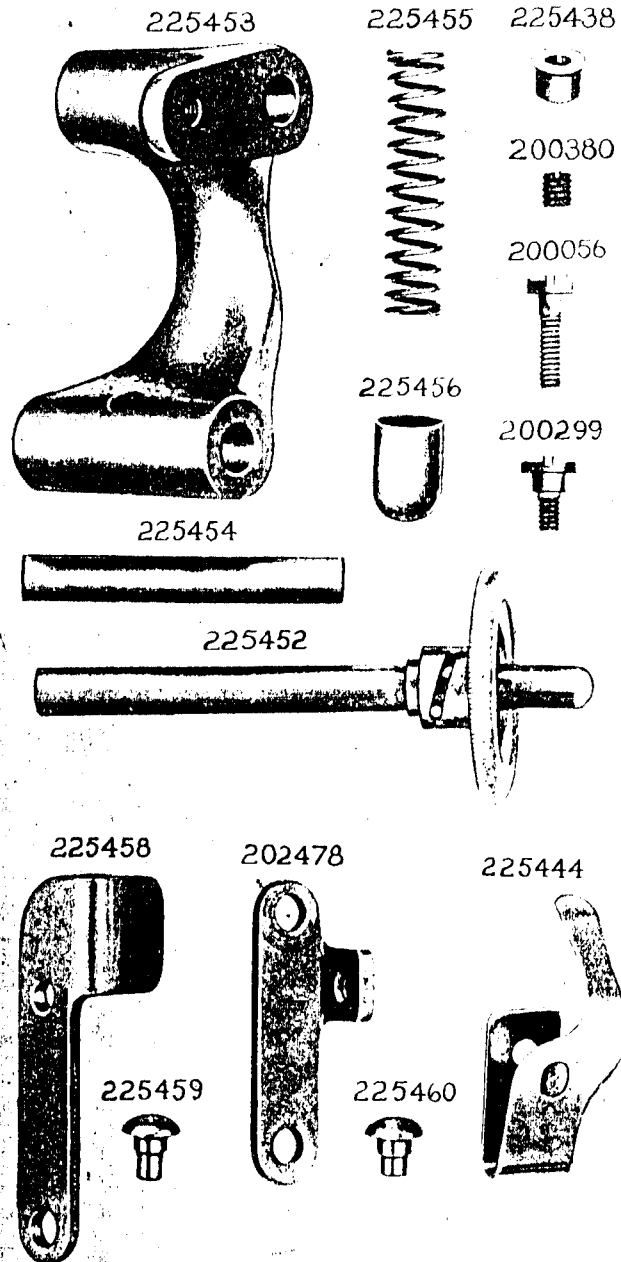


PLATE 10883 ONE-FOURTH SIZE

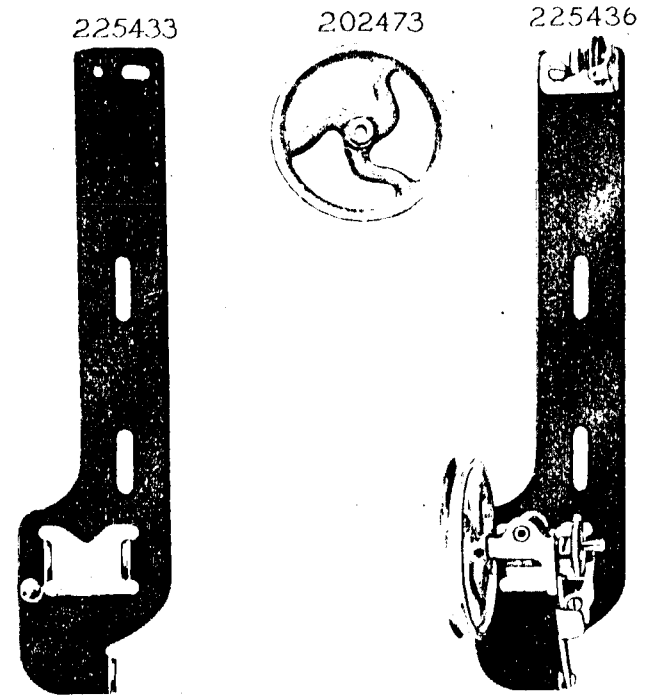




PLATE 12525-FULL SIZE

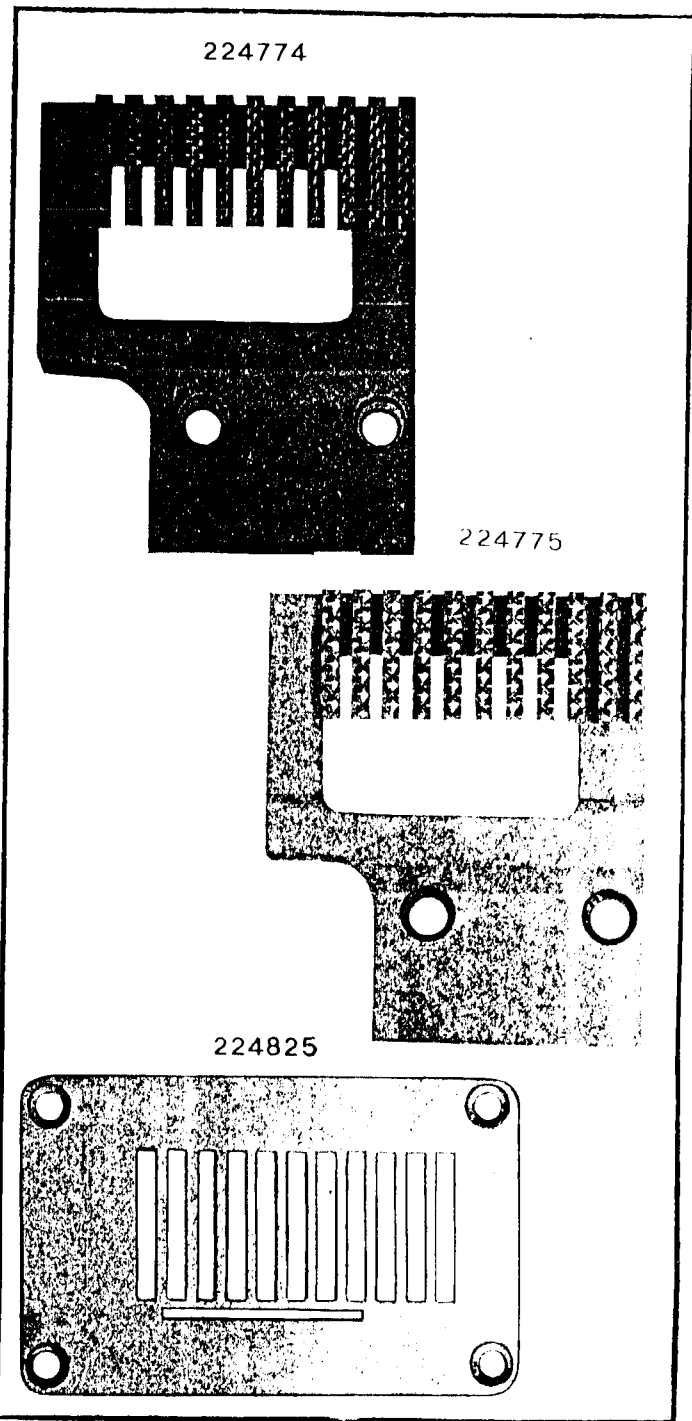


PLATE 12526-ONE-HALF SIZE

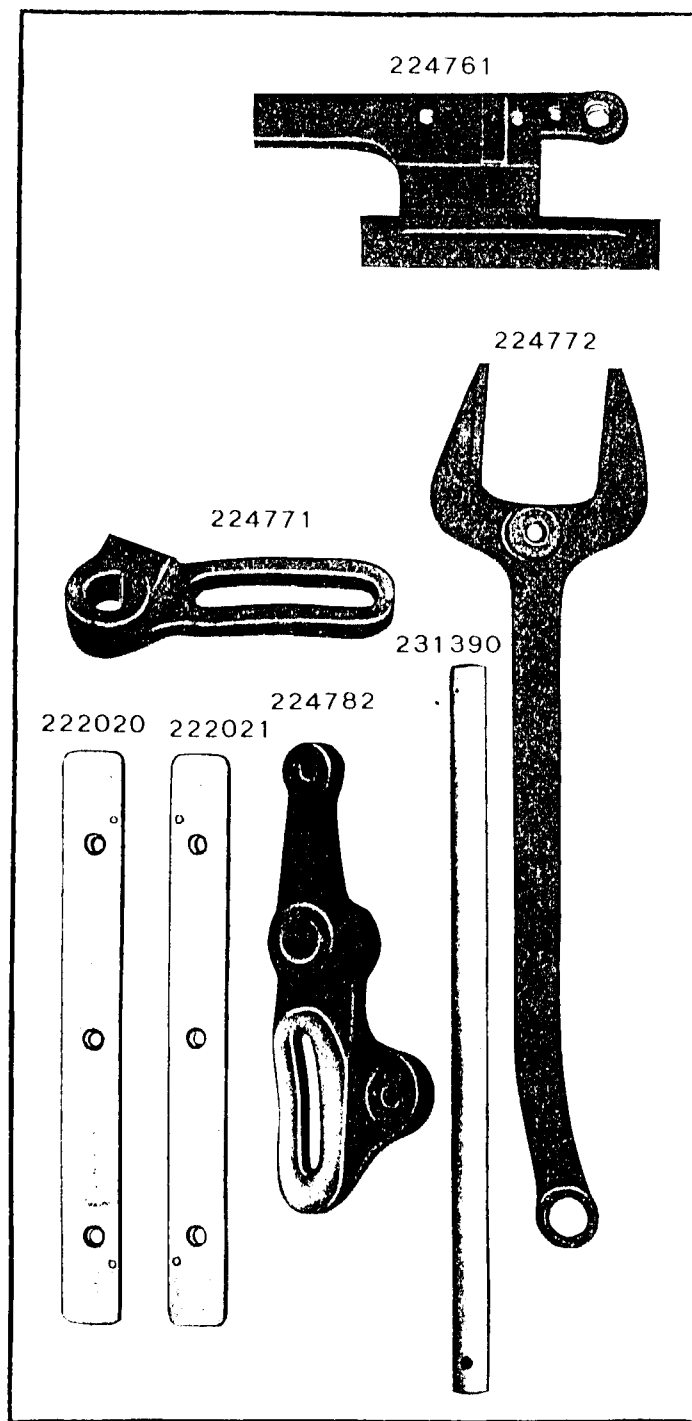


PLATE 12527-FULL SIZE

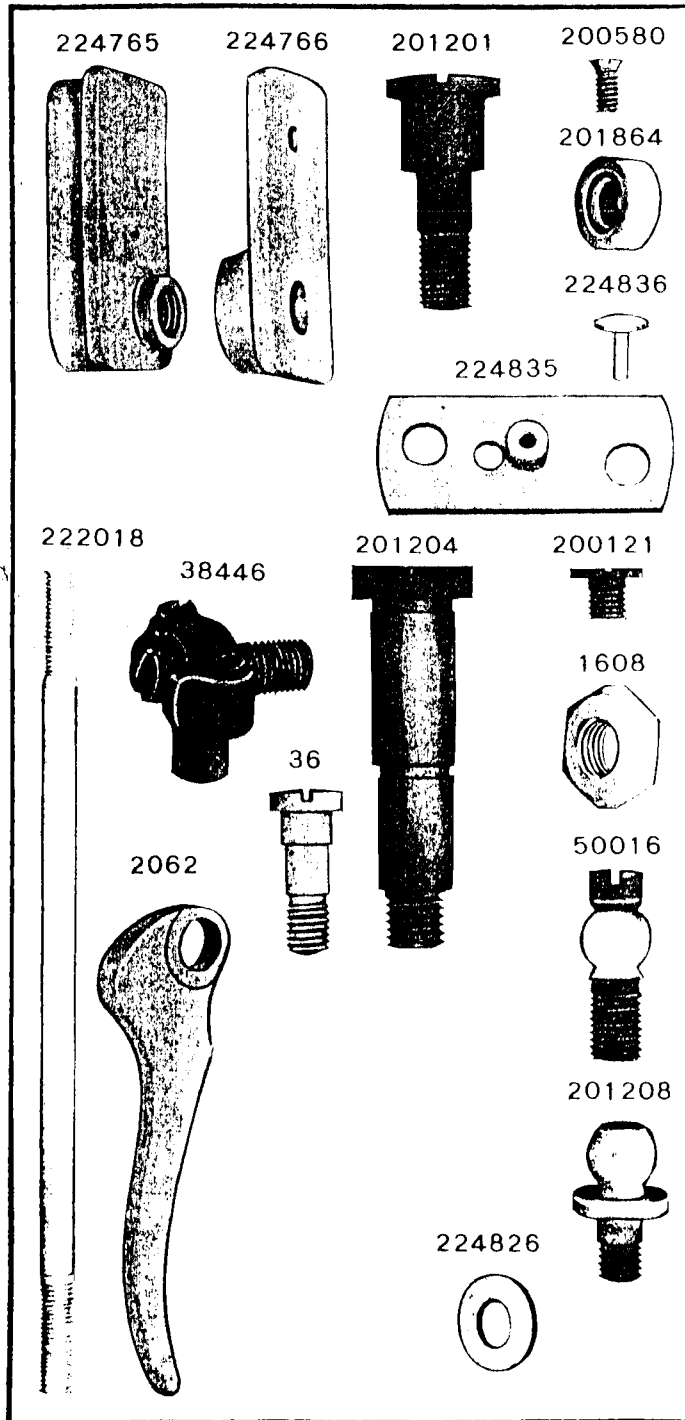


PLATE 12528-FULL SIZE

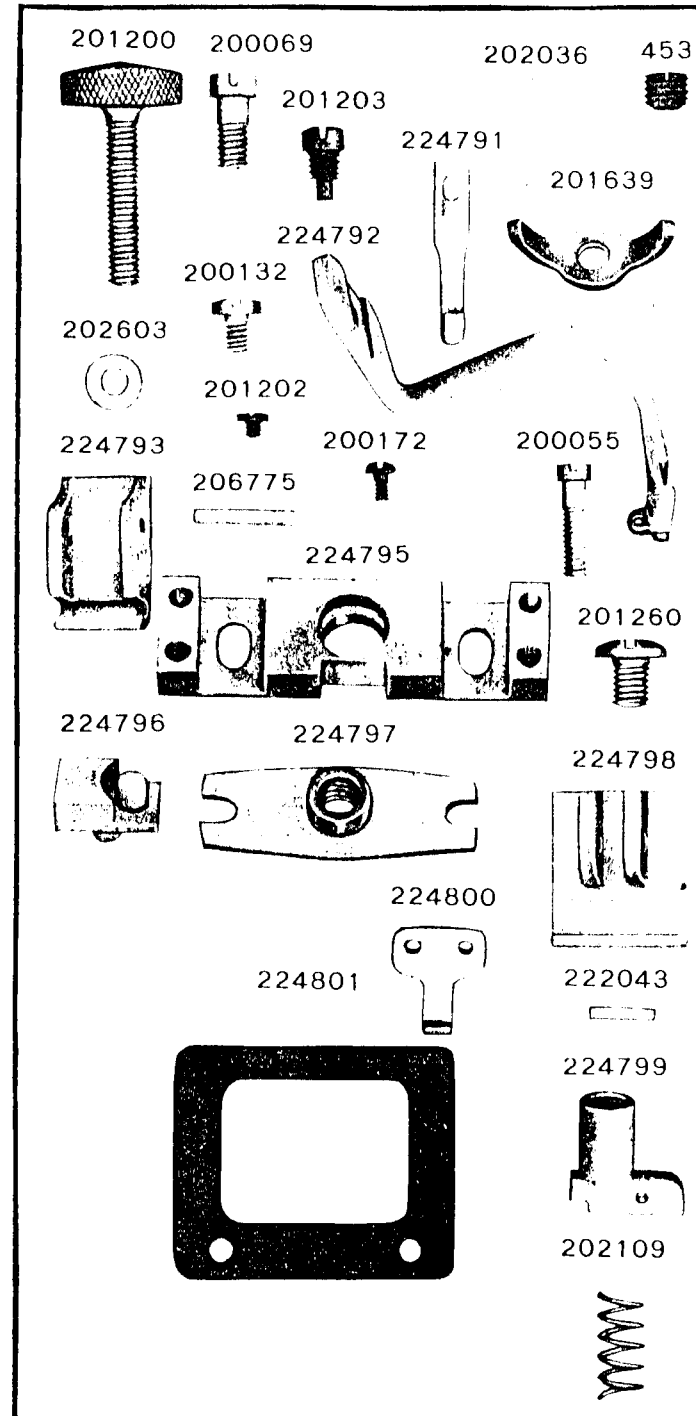


PLATE 12529—ONE-HALF SIZE

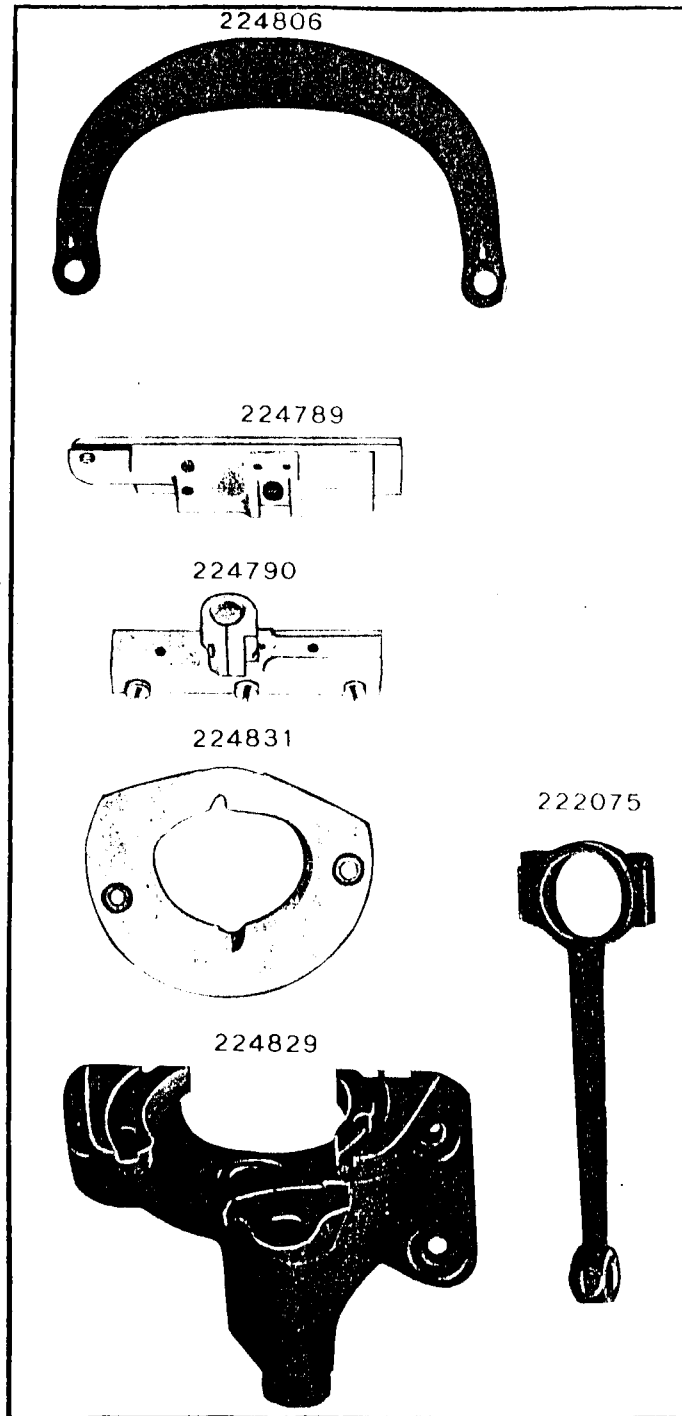


PLATE 12531—FULL SIZE

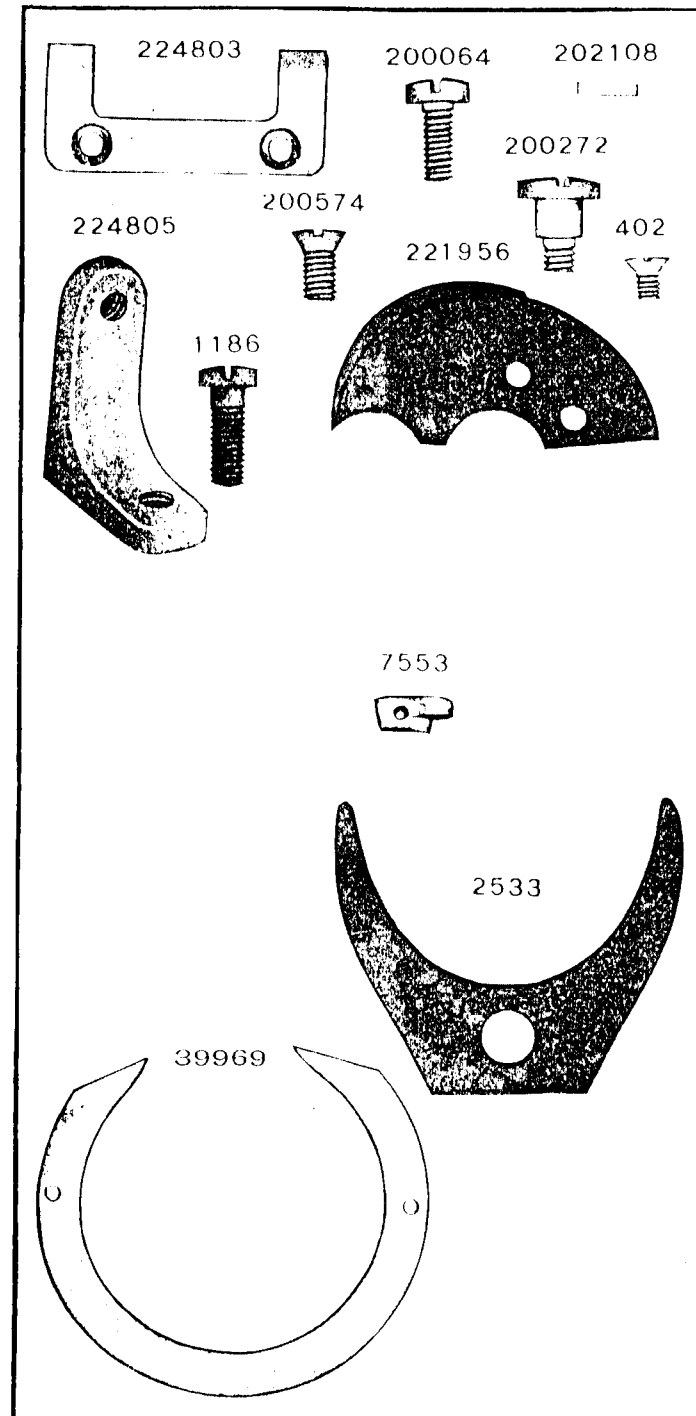


PLATE 12533-FULL SIZE

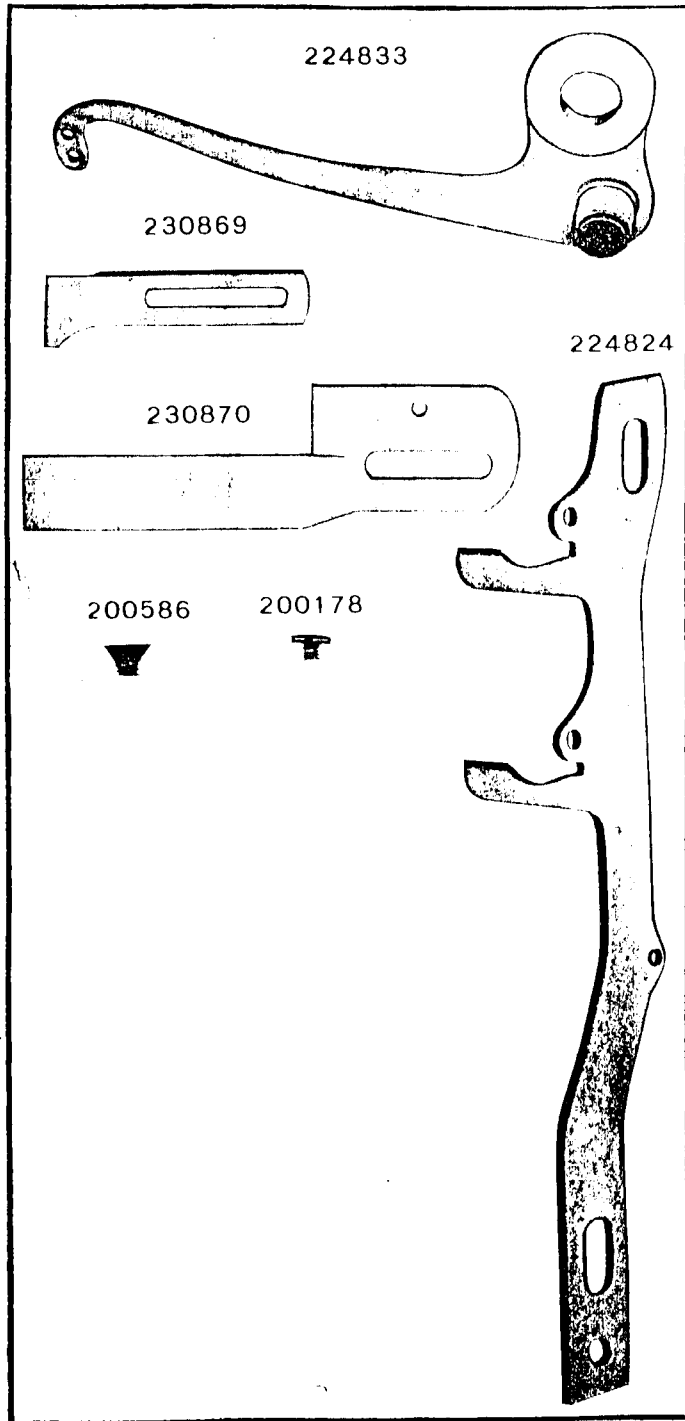


PLATE 12534-FULL SIZE

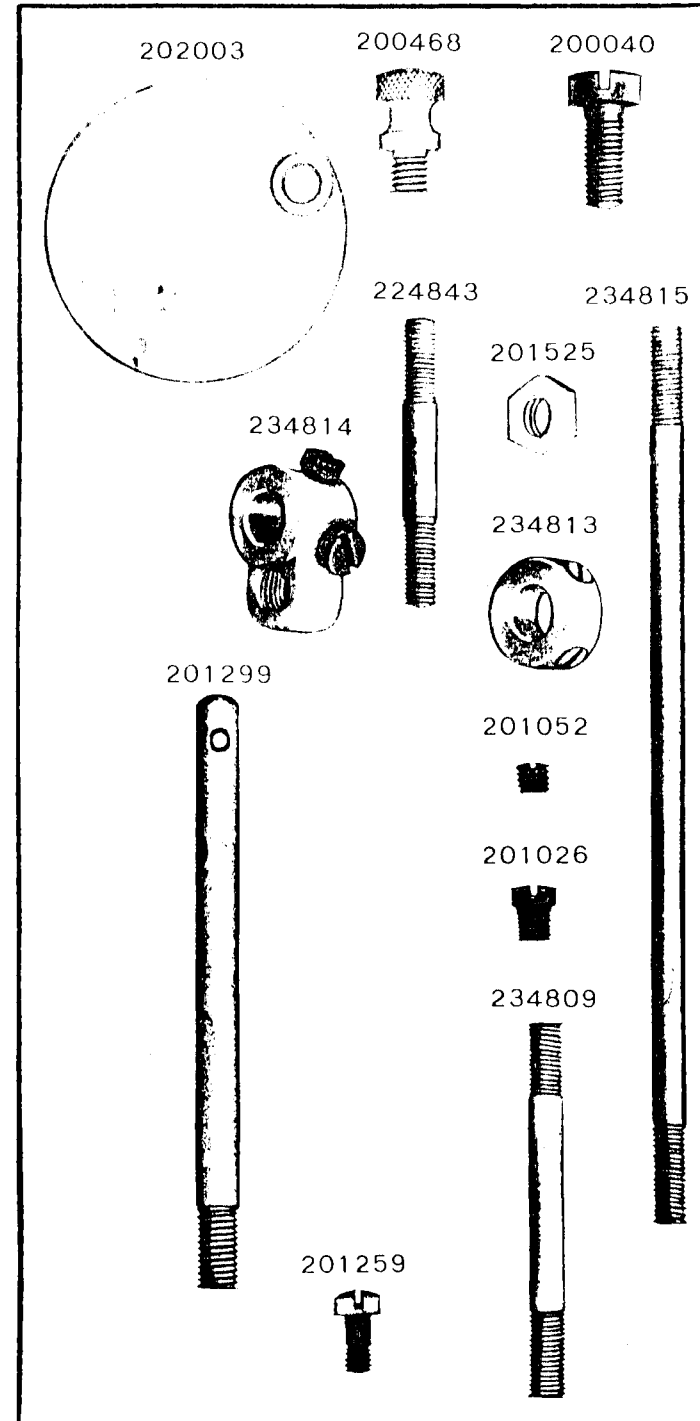


PLATE 12535 - ONE-HALF SIZE

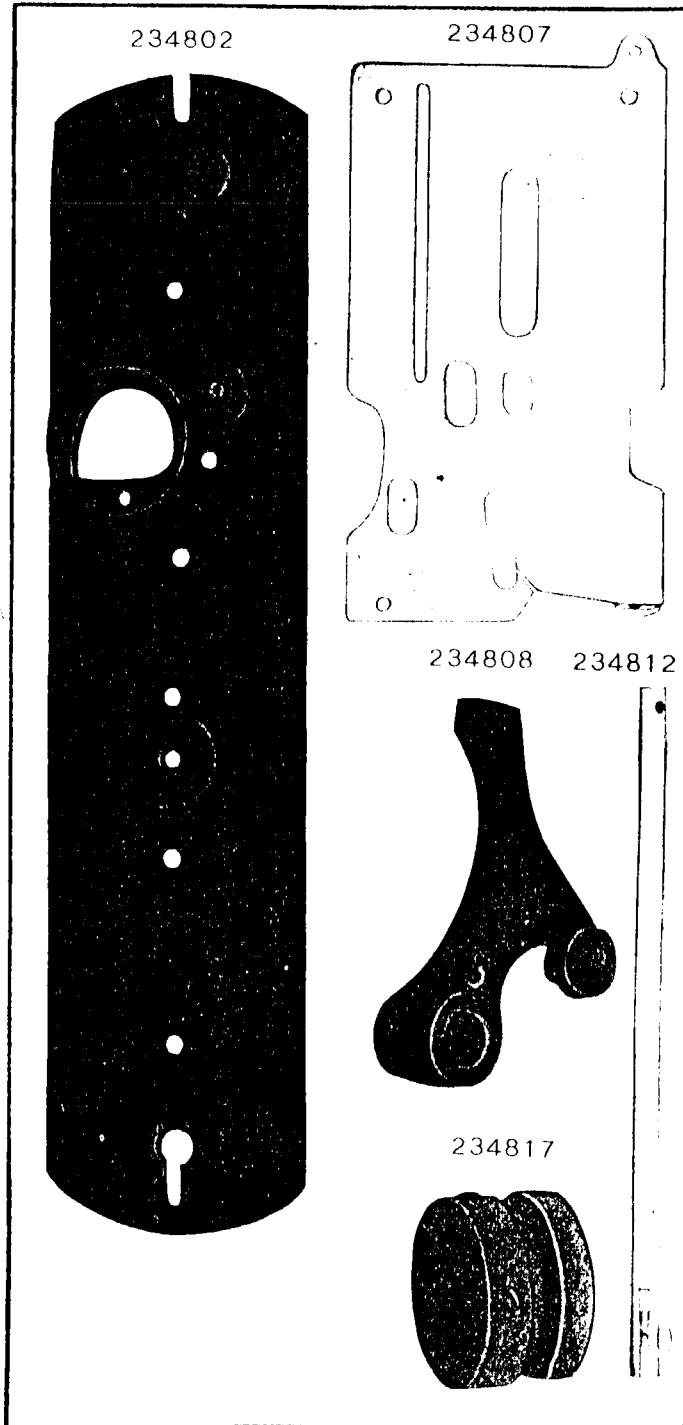


PLATE 12536 - FULL SIZE

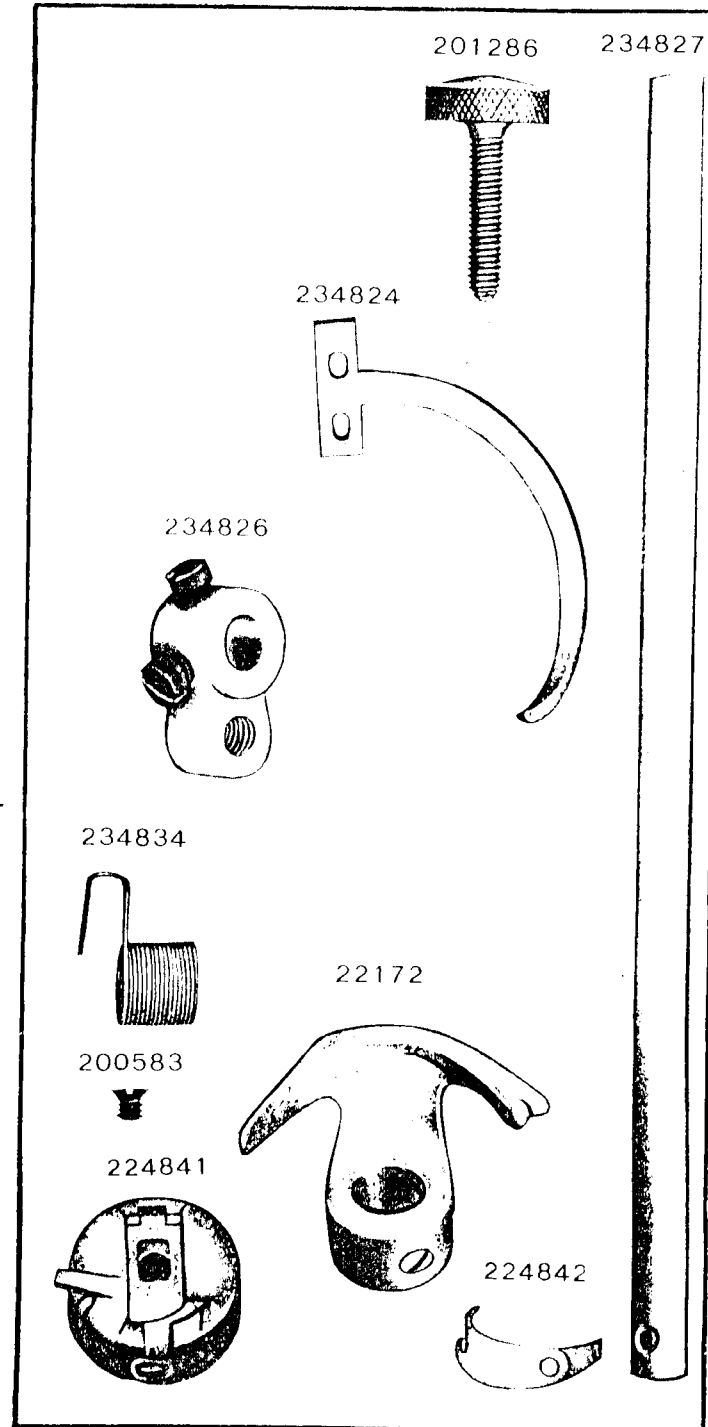


PLATE 12538—FULL SIZE

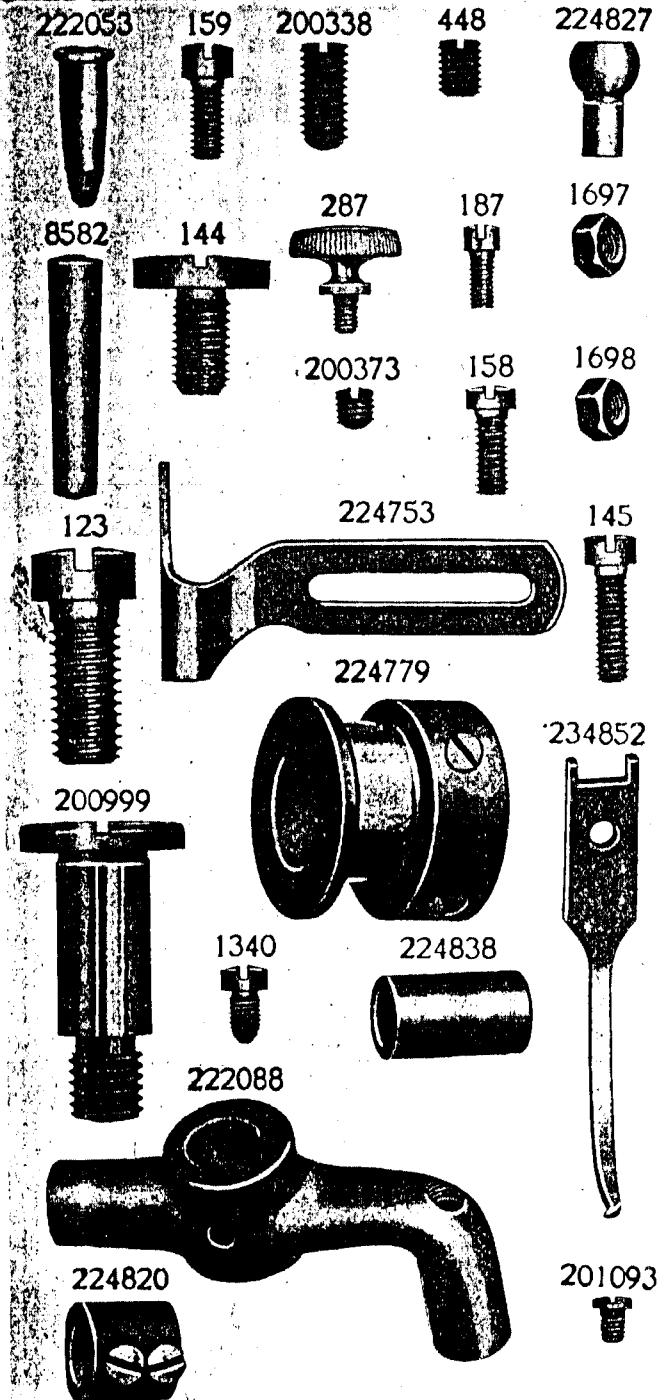


PLATE 12539—FULL SIZE

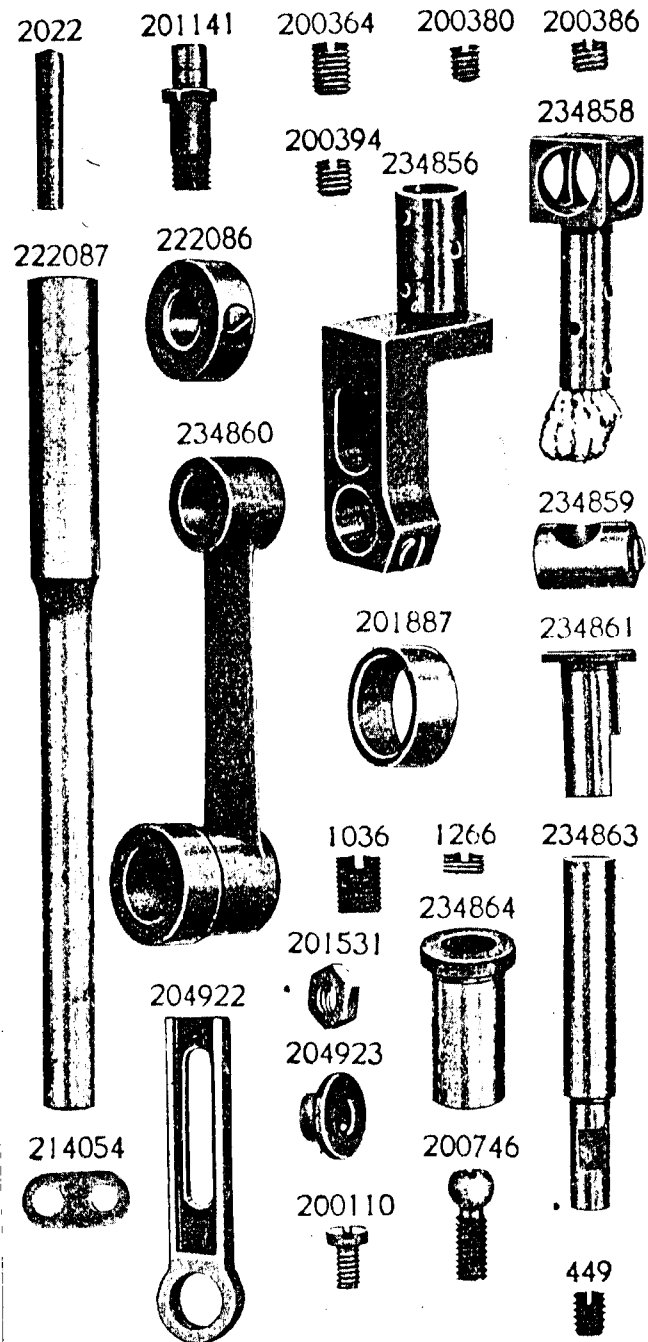


PLATE 12540—FULL SIZE

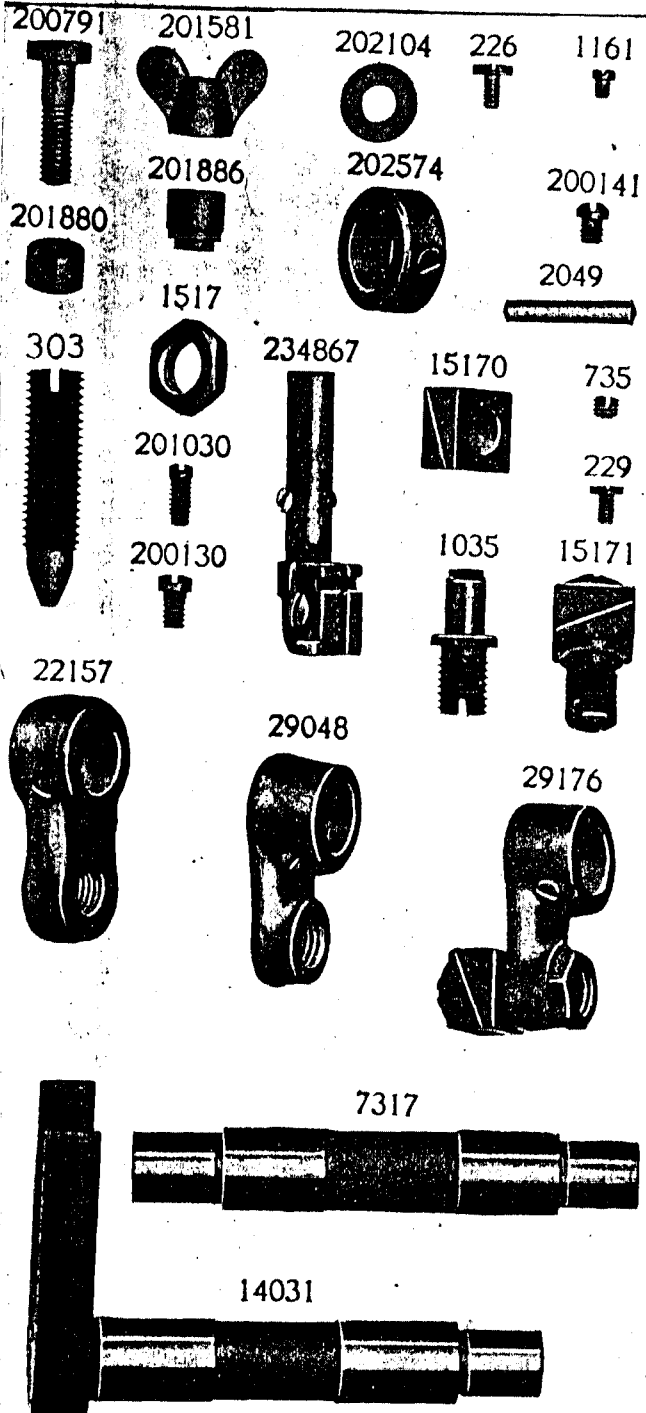


PLATE 12541—ONE-HALF SIZE

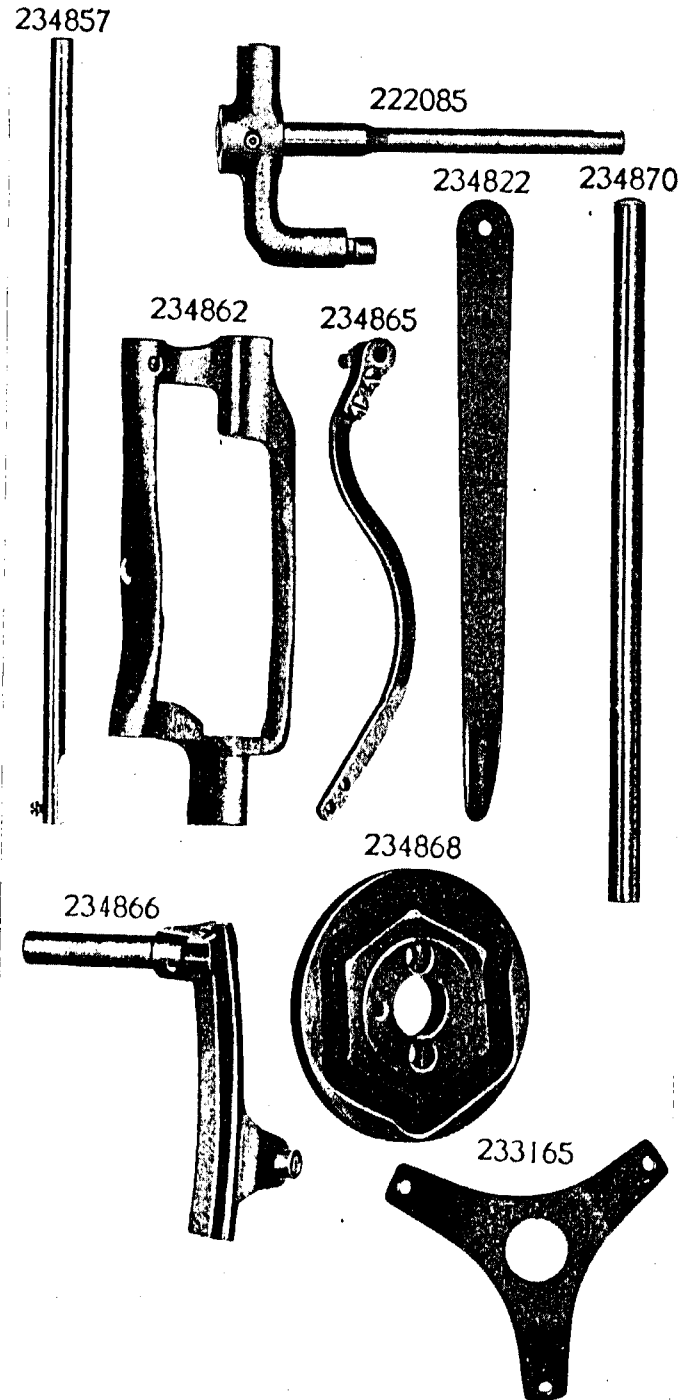


PLATE 12542—FULL SIZE

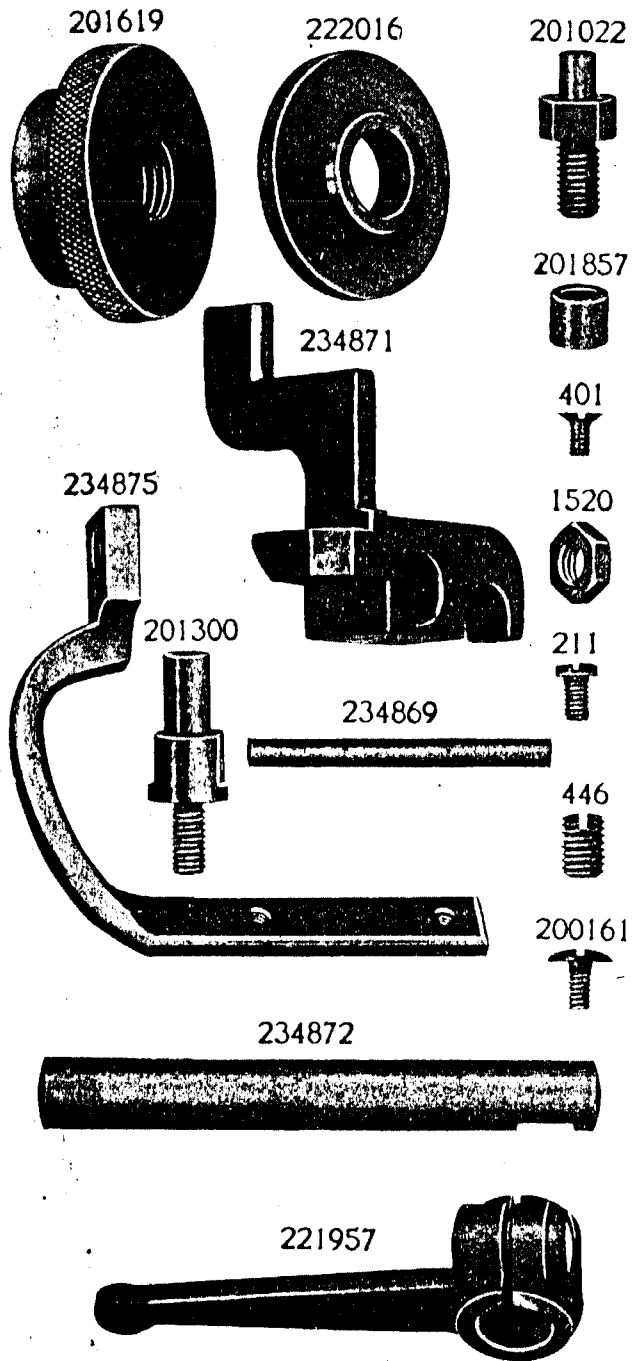


PLATE 12543—ONE-HALF SIZE

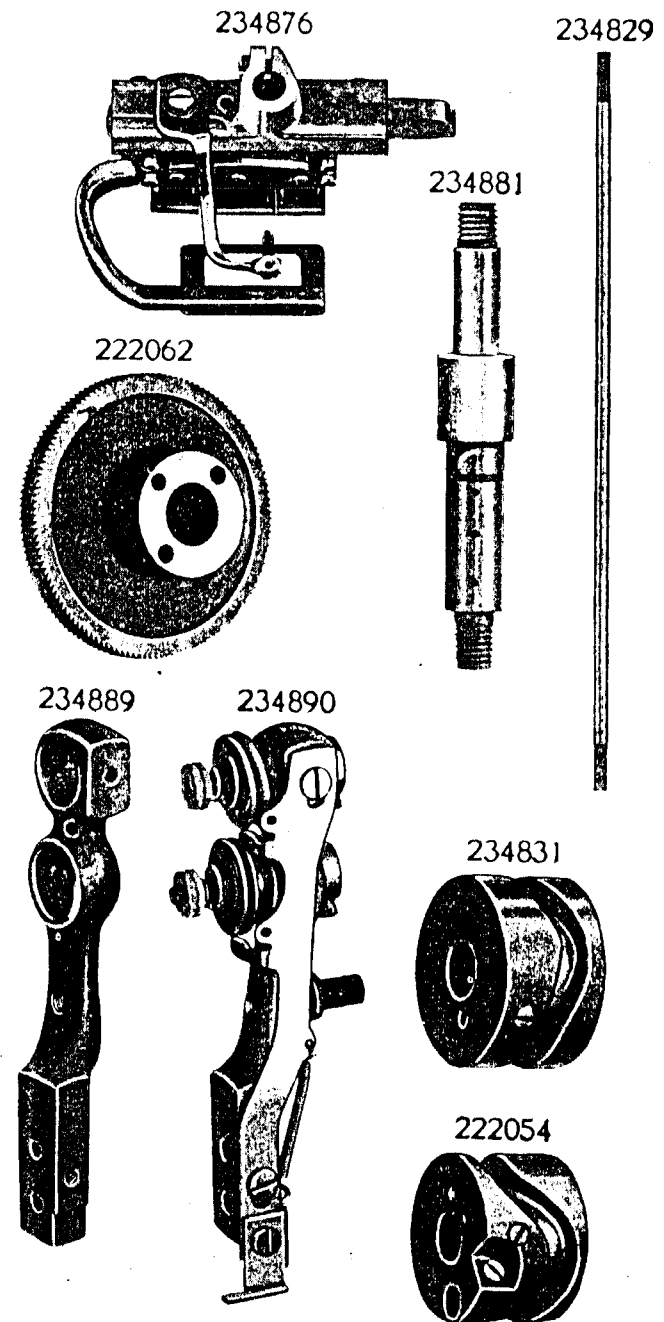




PLATE 12544—FULL SIZE

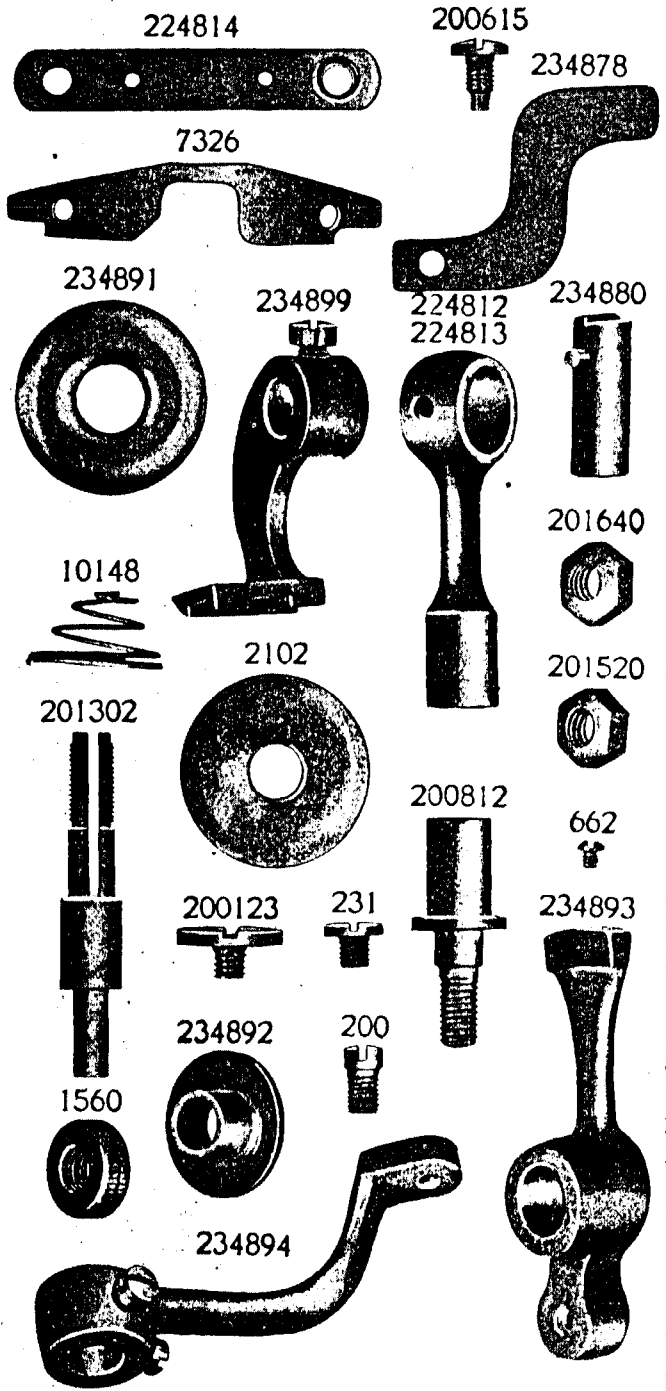


PLATE 12545—ONE-FOURTH SIZE

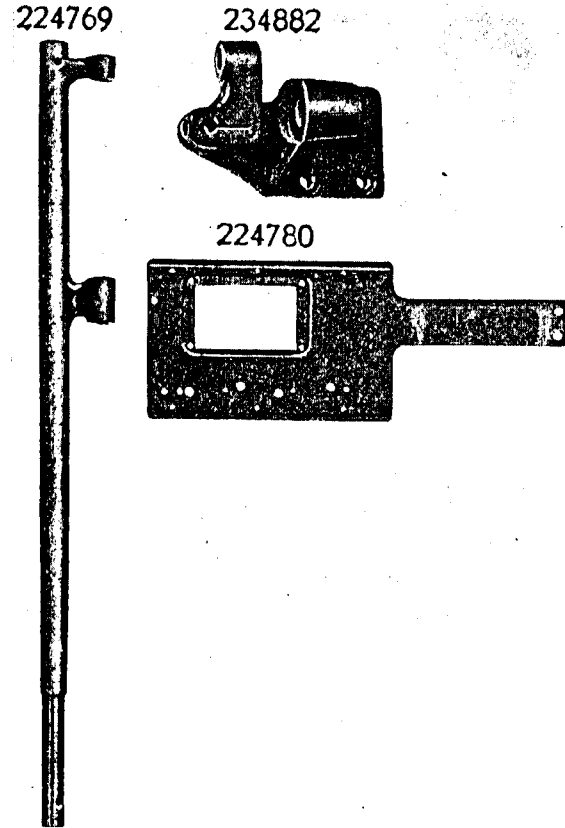


PLATE 12546--FULL SIZE

234896



234895

201297



201891



222103



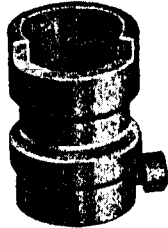
2410



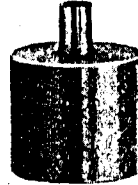
941



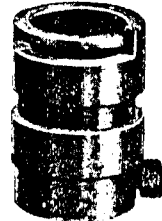
22179



221994



234898



219



456



208

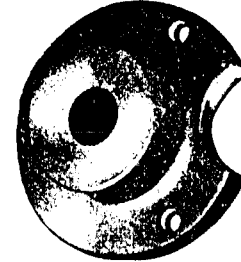


201816

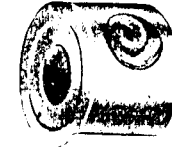


PLATE 12560--ONE-HALF SIZE

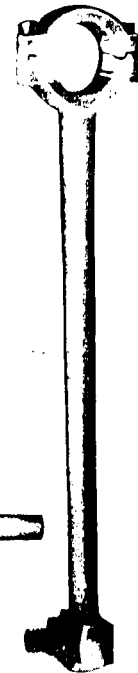
221903



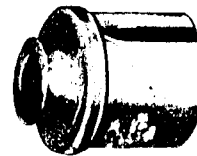
222025



221922



221904



221927



PLATE 12561 - ONE-FOURTH SIZE

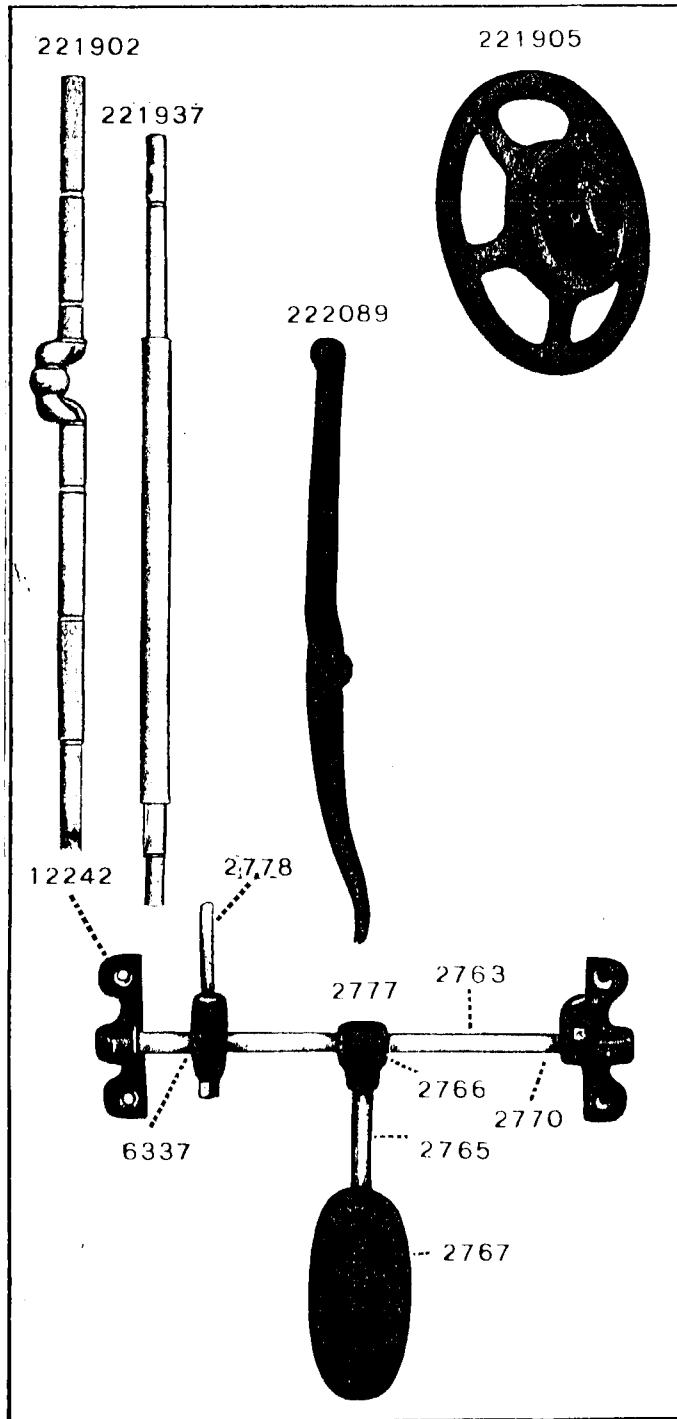


PLATE 12564 - FULL SIZE

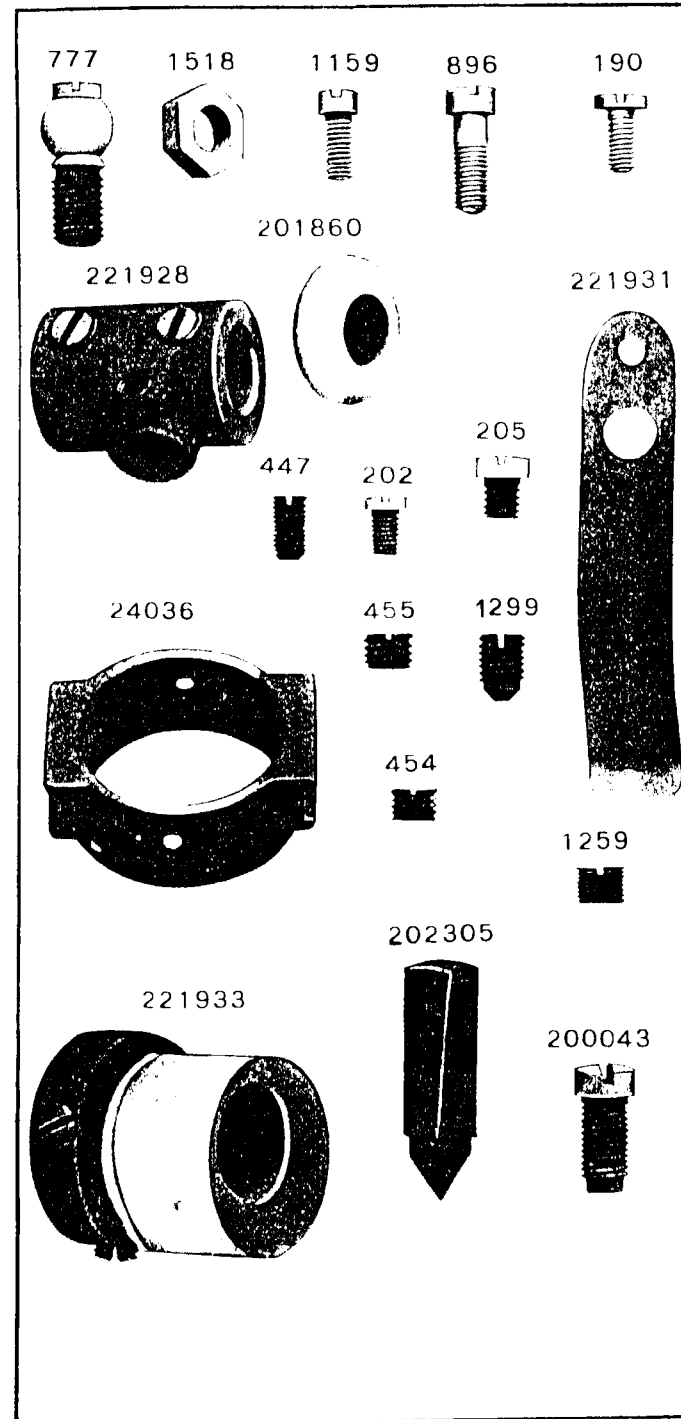


PLATE 12566 -FULL SIZE

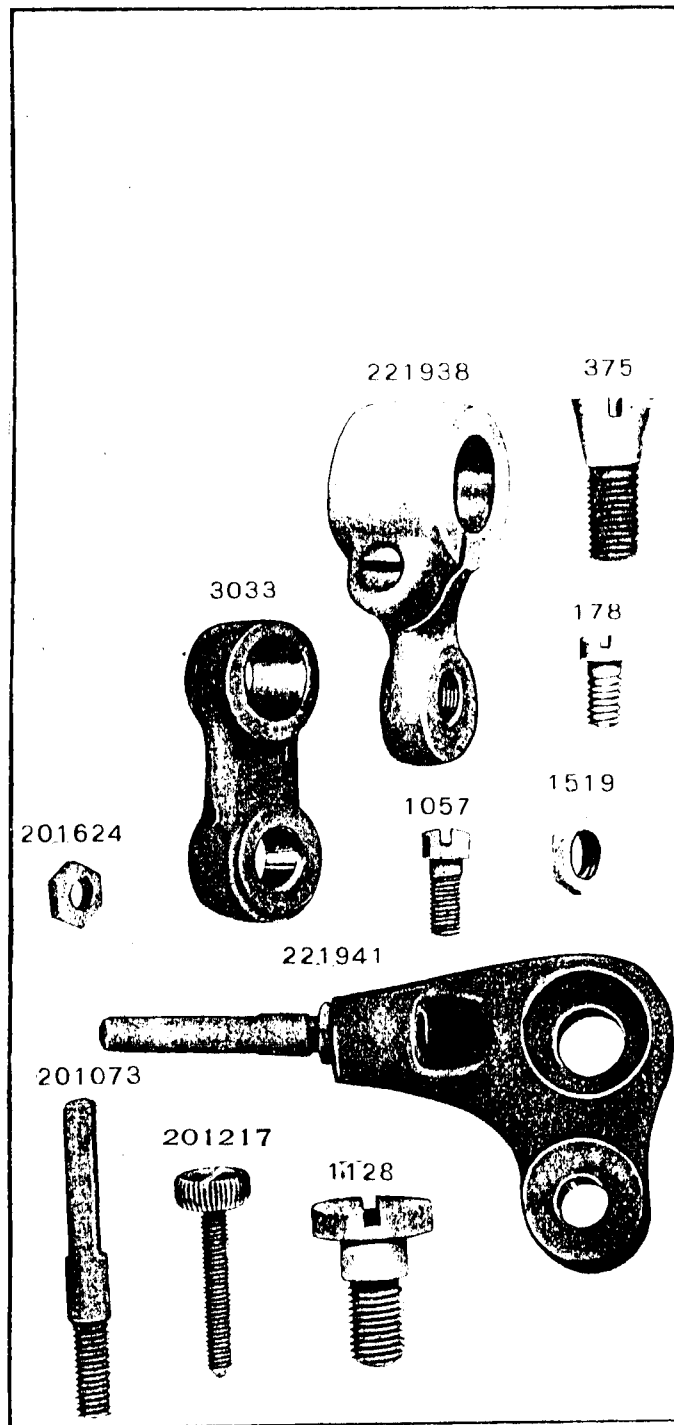


PLATE 12567 -FULL SIZE

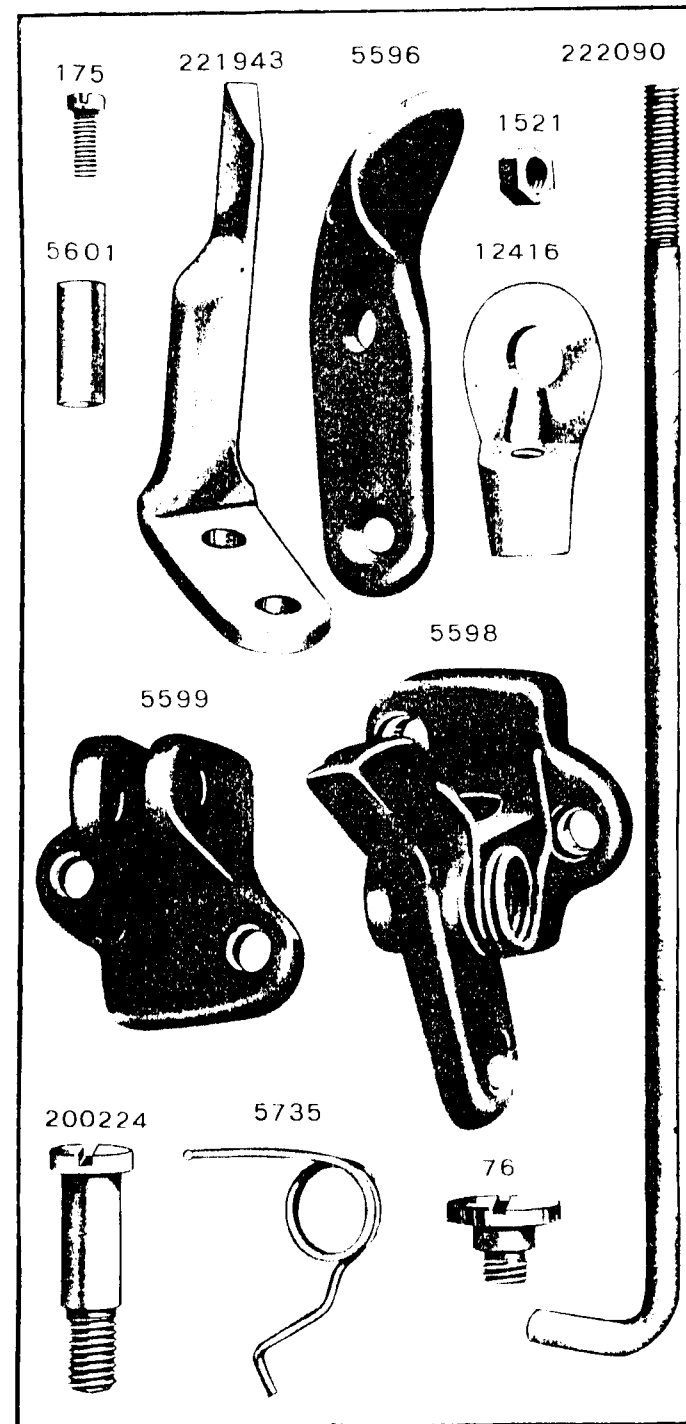


PLATE 12574 -FULL SIZE

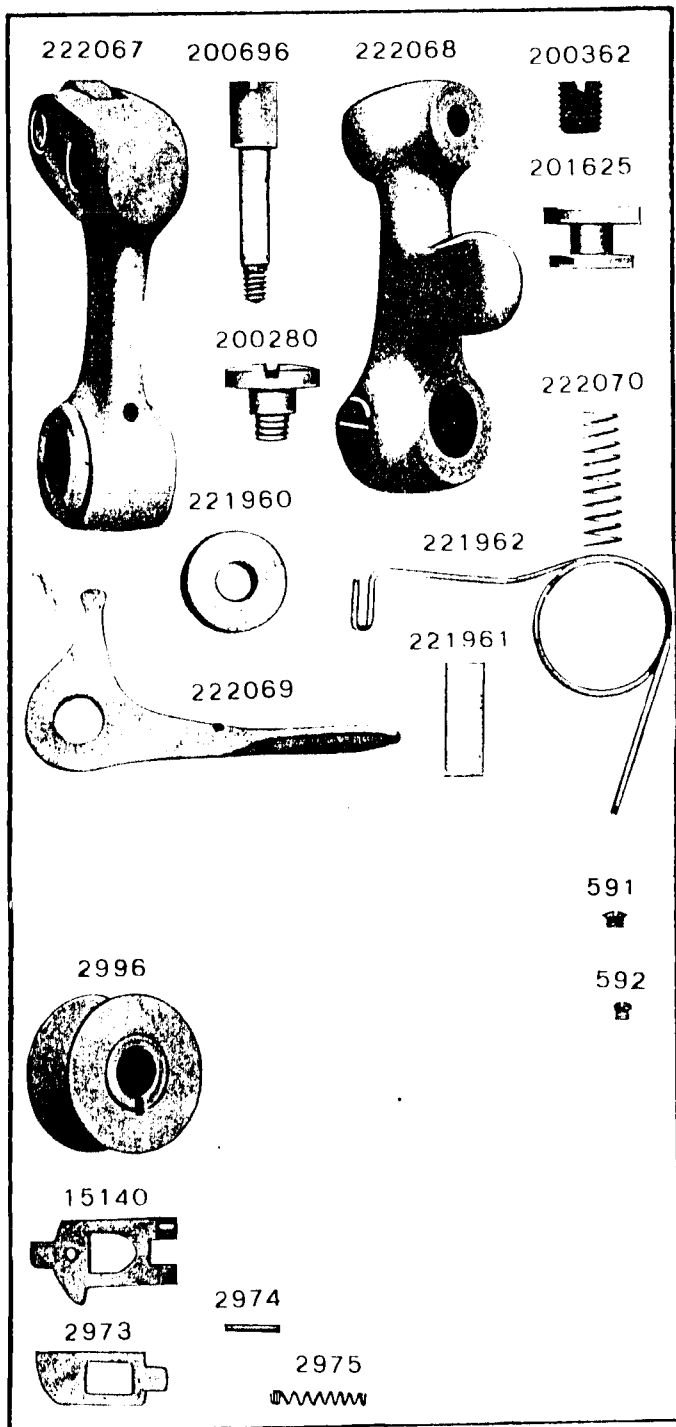


PLATE 12575 -FULL SIZE

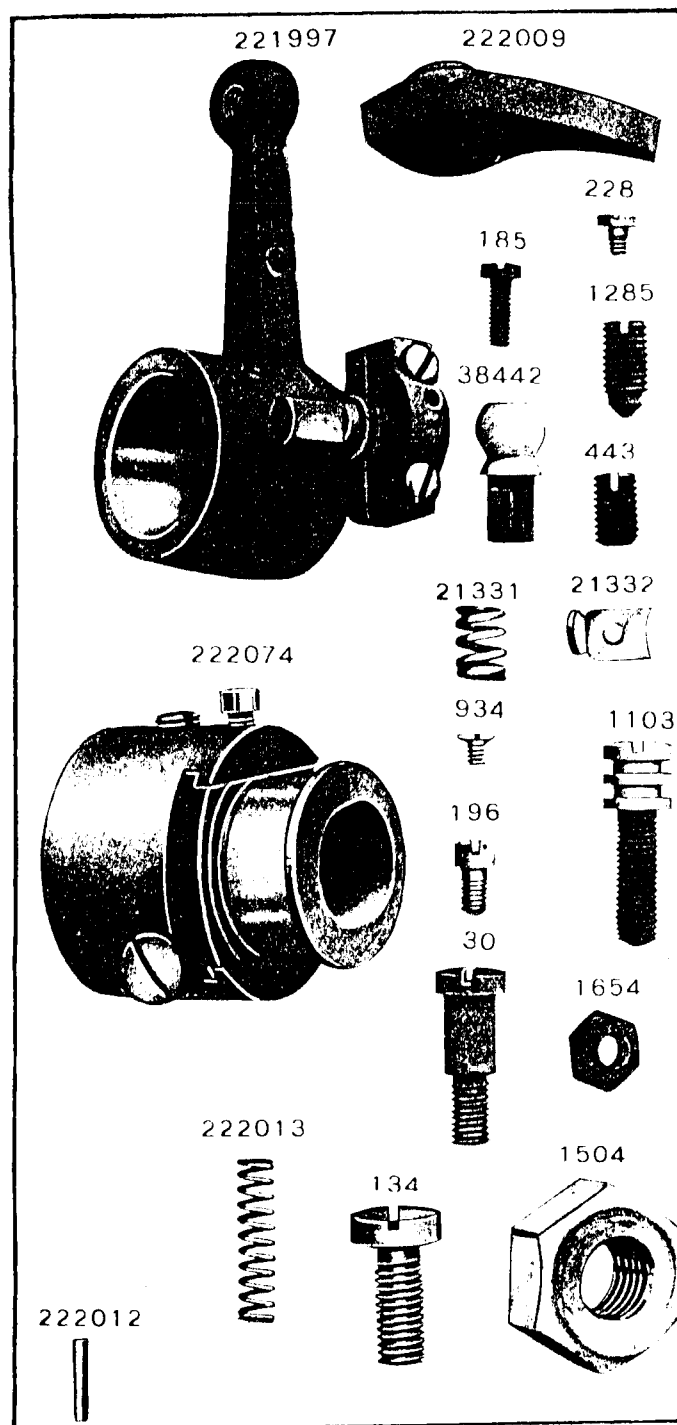


PLATE 12576 -FULL SIZE

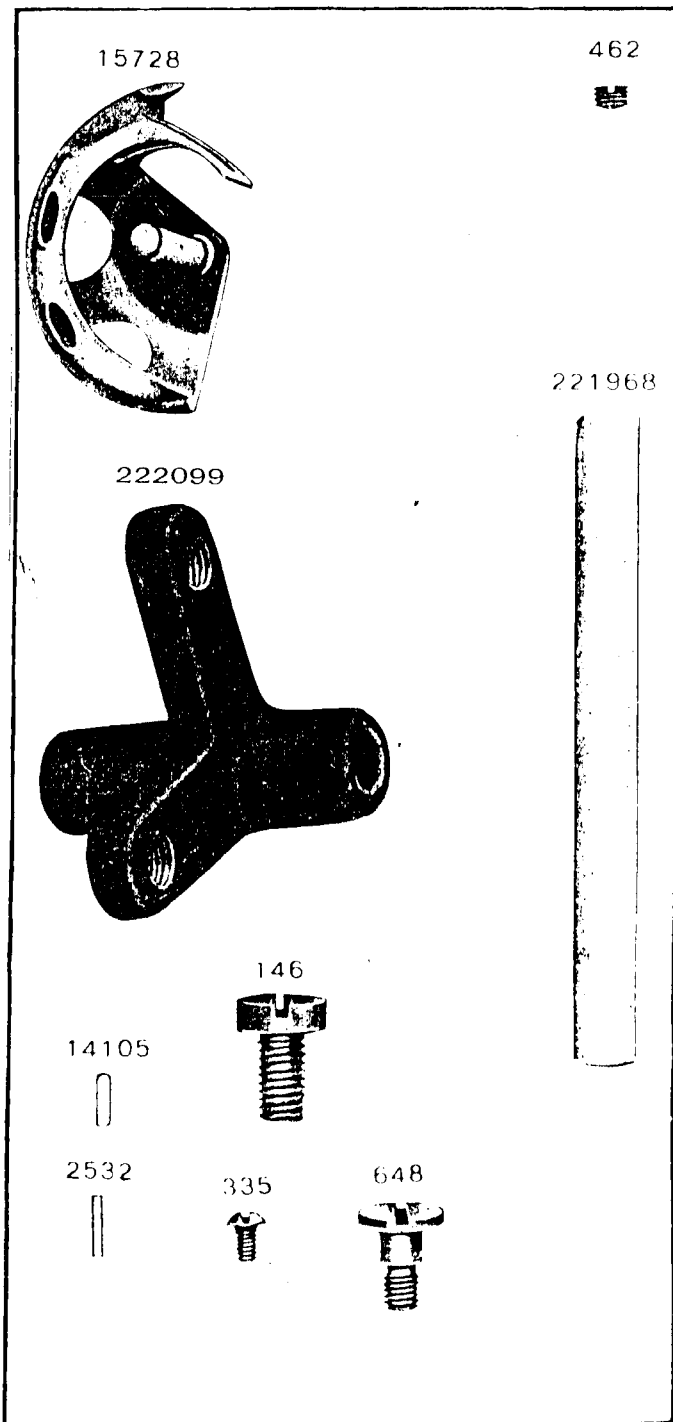


PLATE 12579 -FULL SIZE

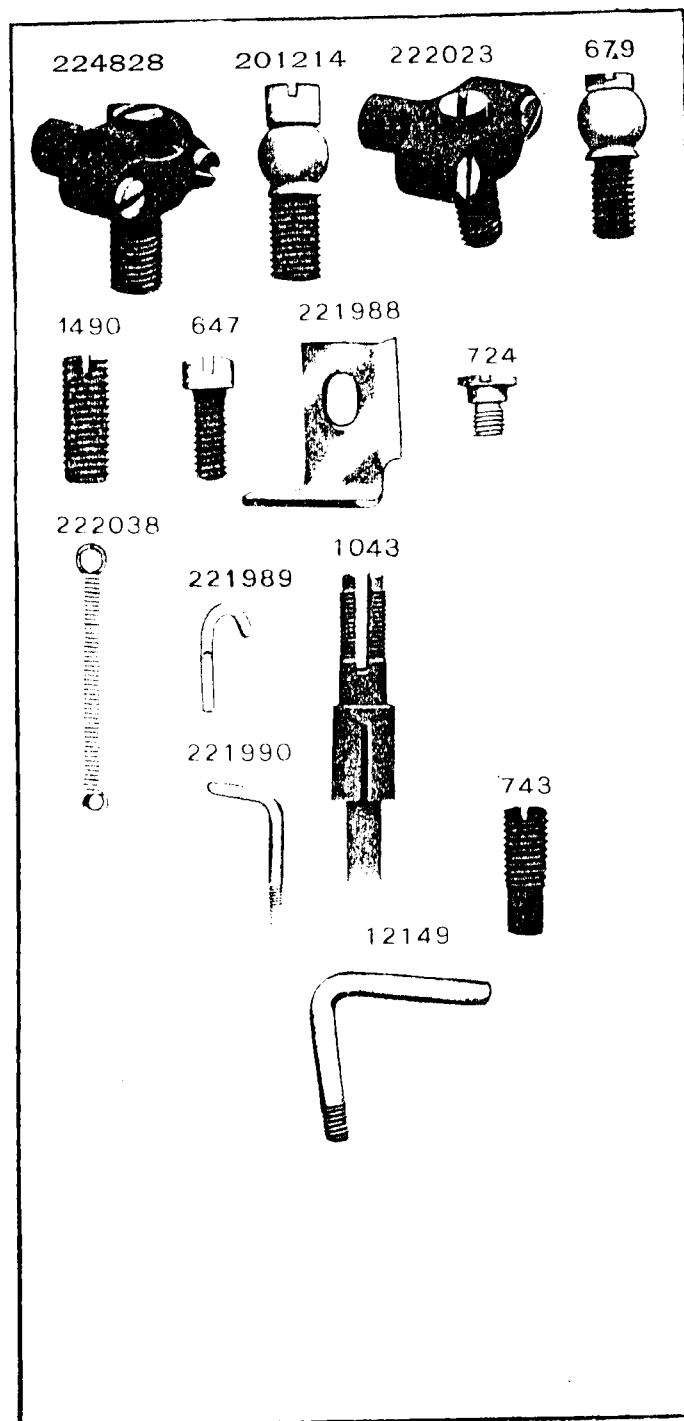


PLATE 12581 -FULL SIZE

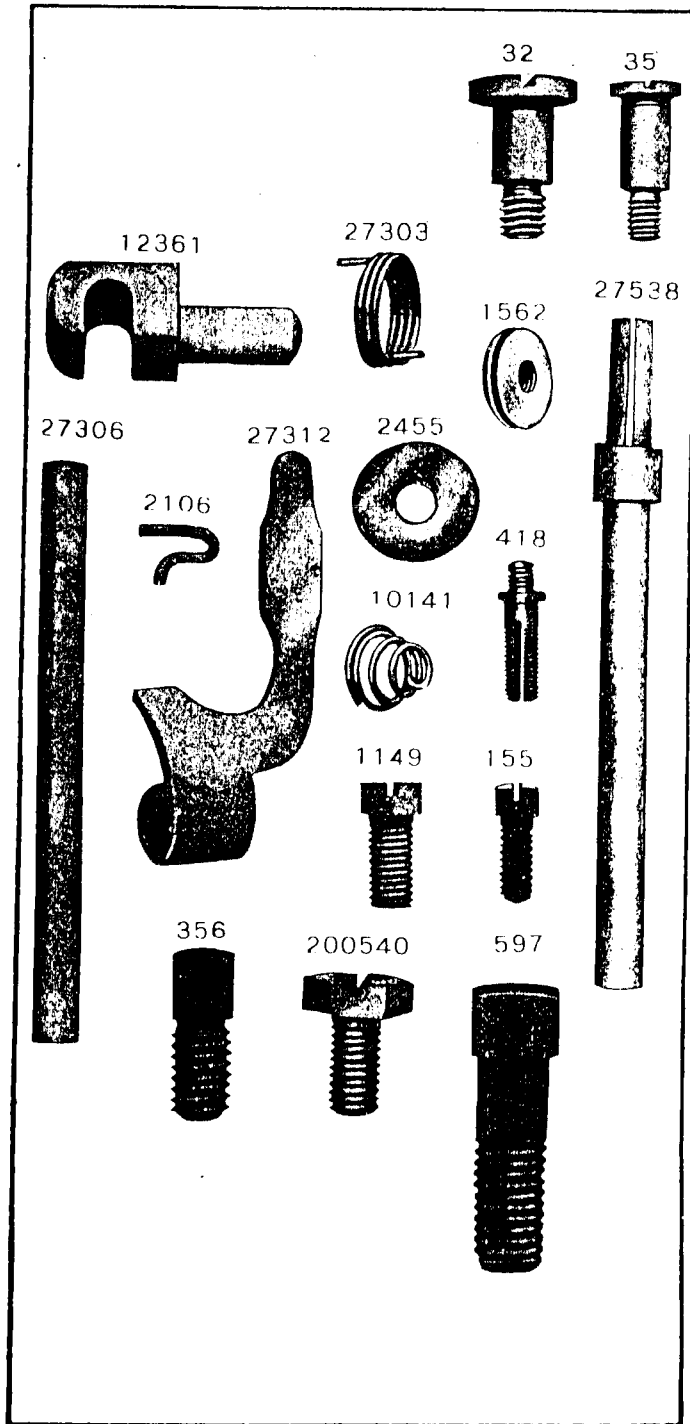


PLATE 12583 -ONE-HALF SIZE

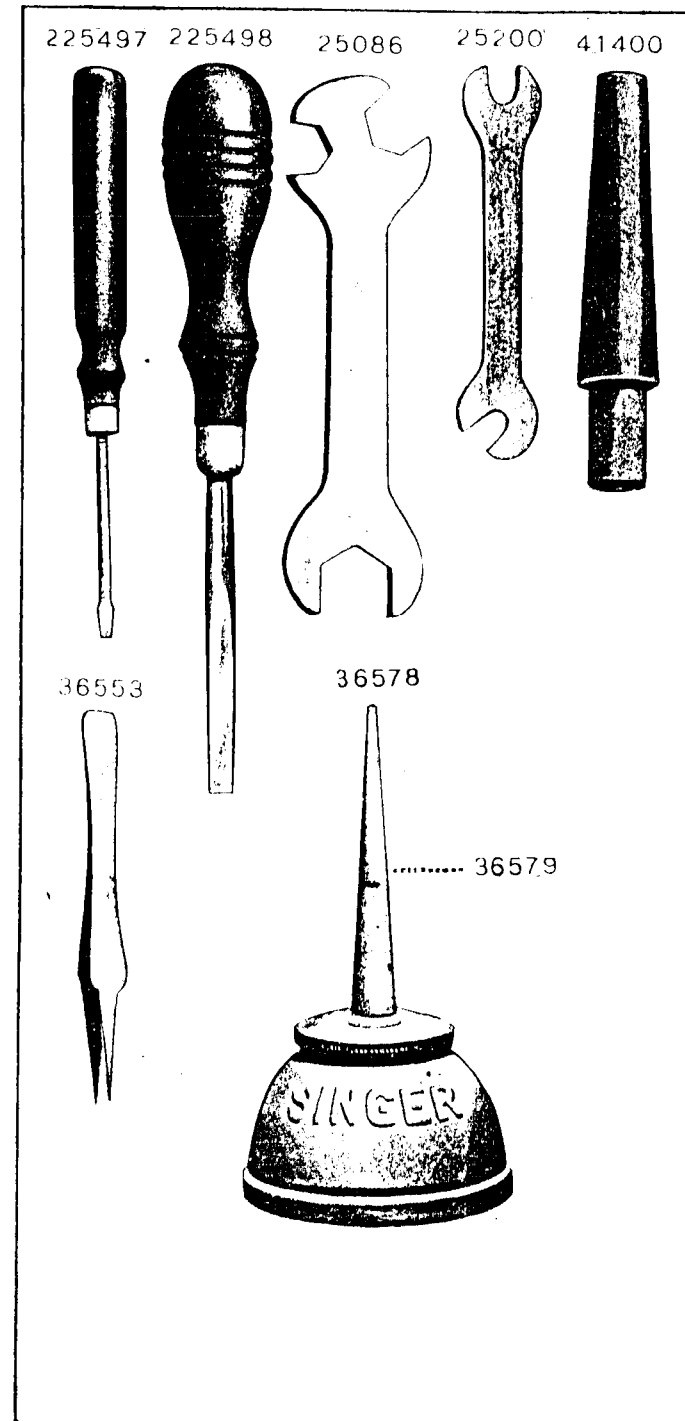


PLATE 12584-ONE-HALF SIZE

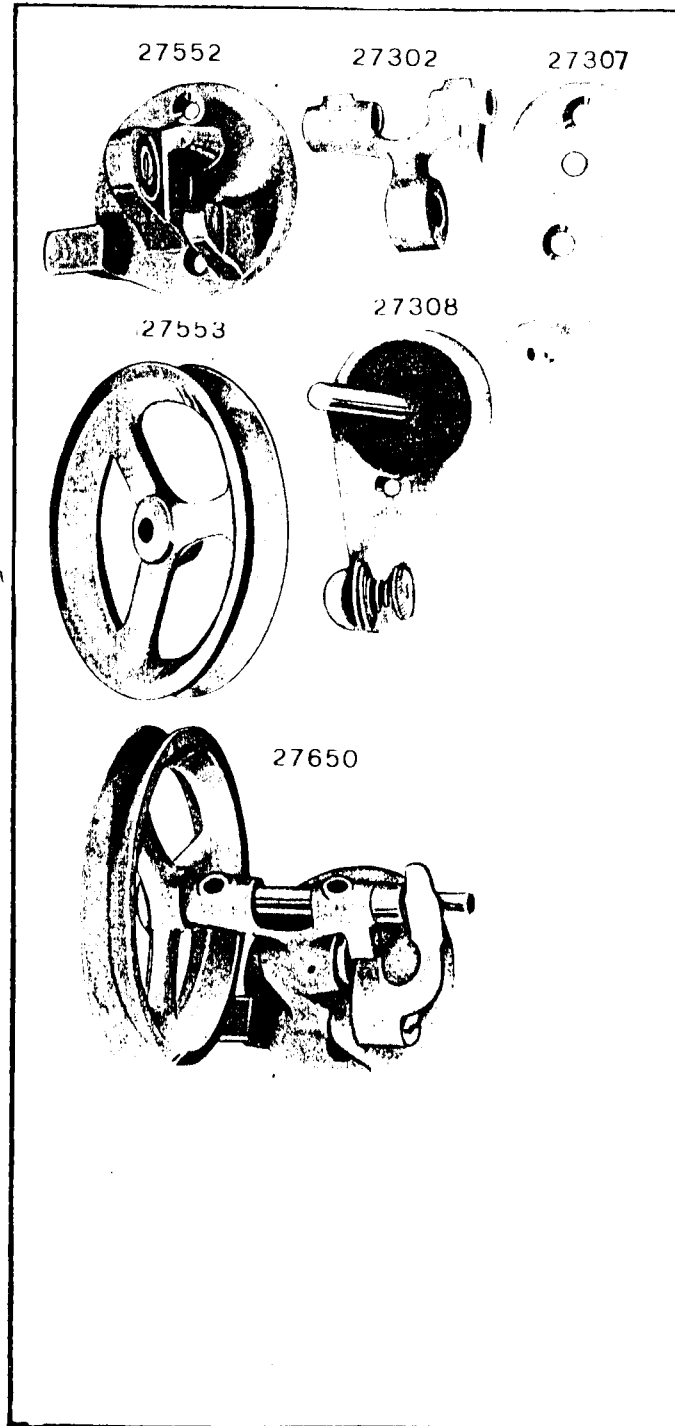


PLATE 12585-ONE-FOURTH SIZE

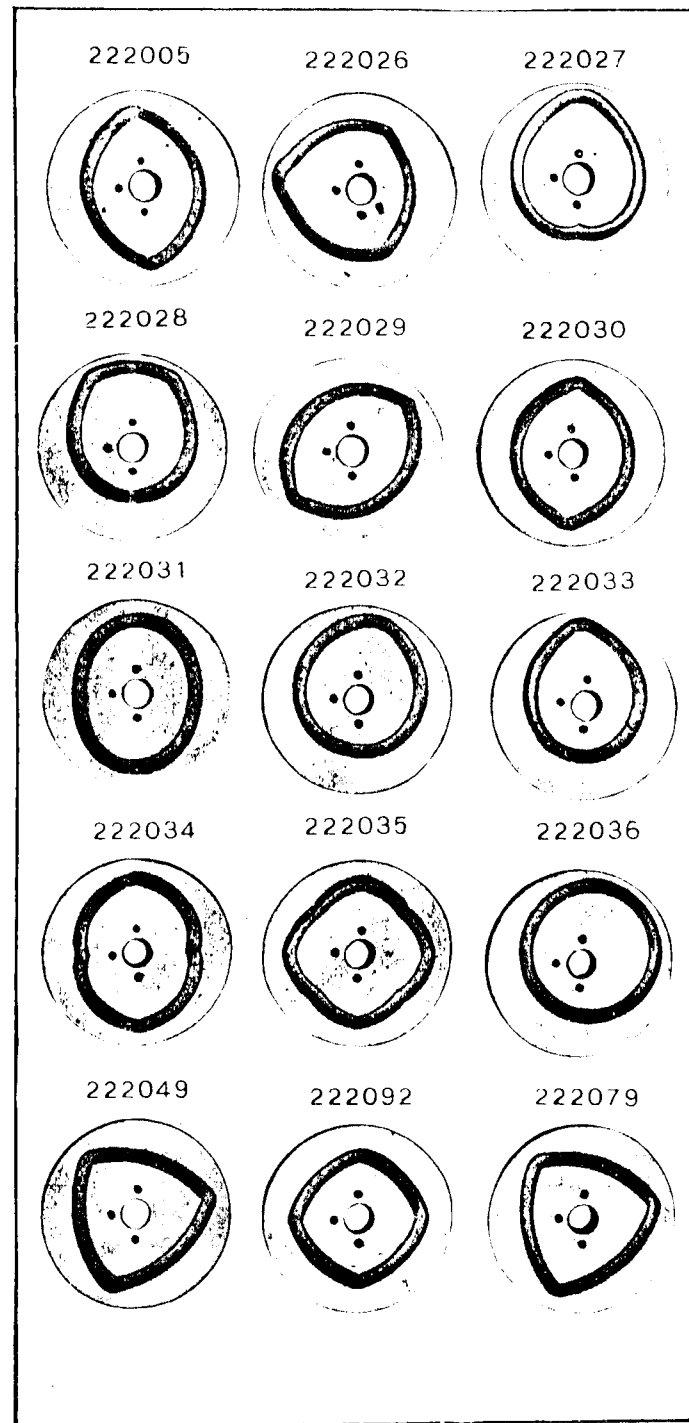




PLATE 12586—ONE-FOURTH SIZE

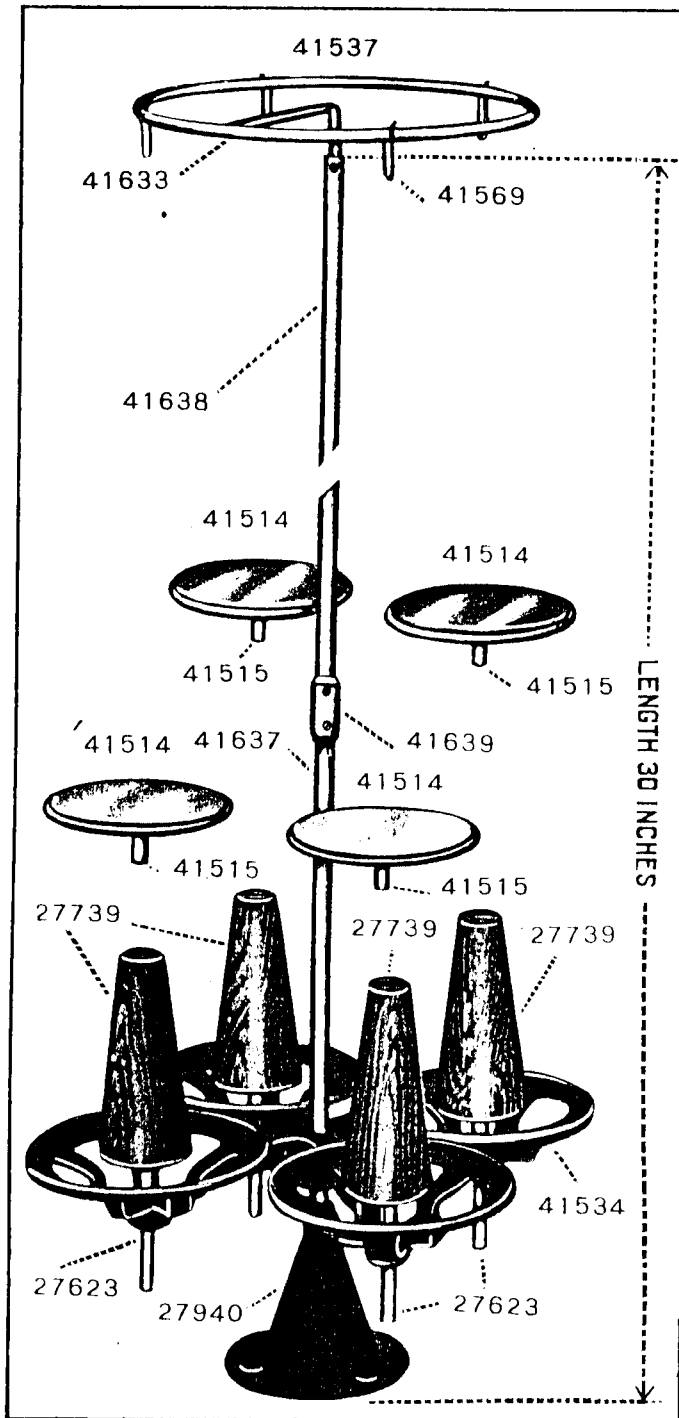


PLATE 12587—ONE-FOURTH SIZE

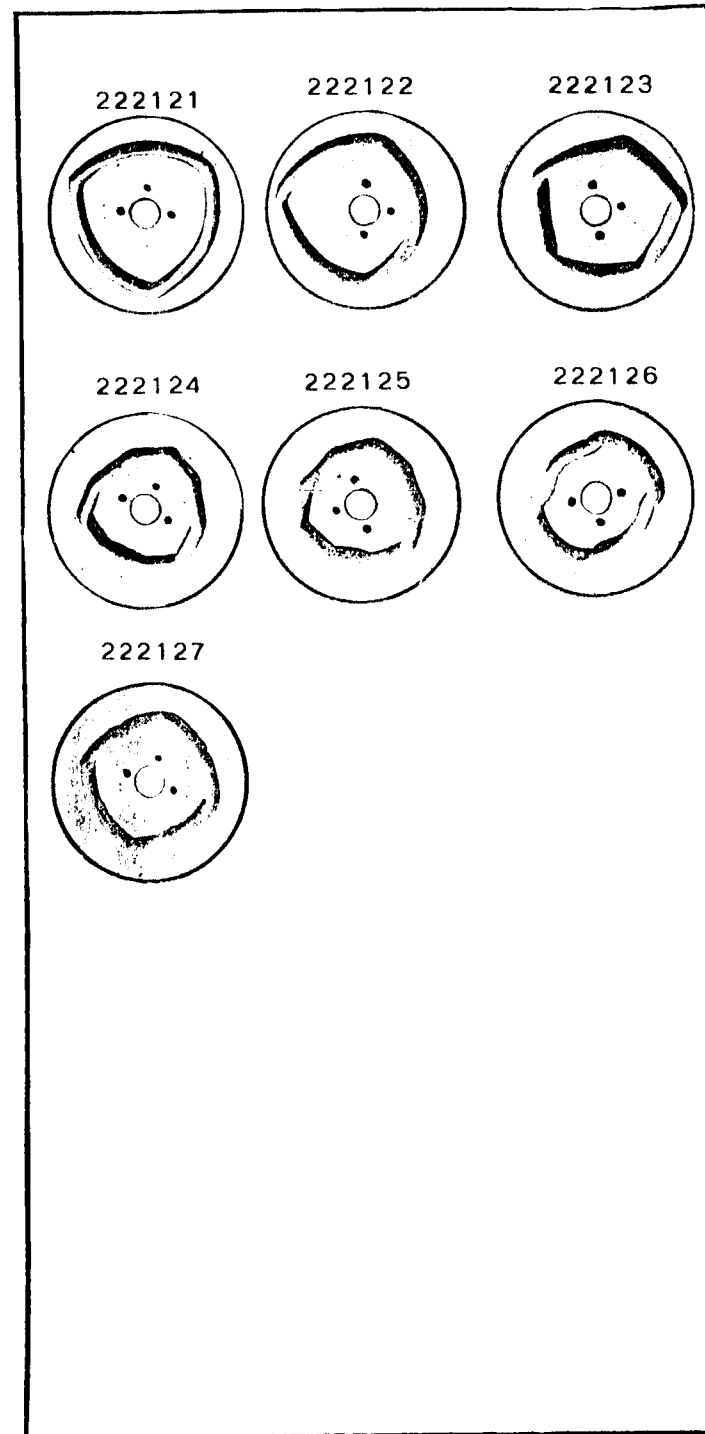
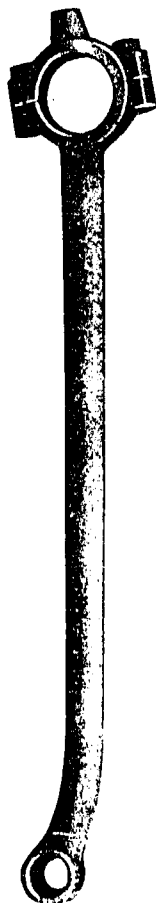


PLATE 12589—ONE-HALF SIZE

23672



224810

